

VIBRATION MANAGEMENT CORPORATION

3532-A EAST TC JESTER, BROOKWOOD BUSINESS PARK
HOUSTON, TEXAS 77018, U.S.A.

TEL: +1 (713) 263-8181

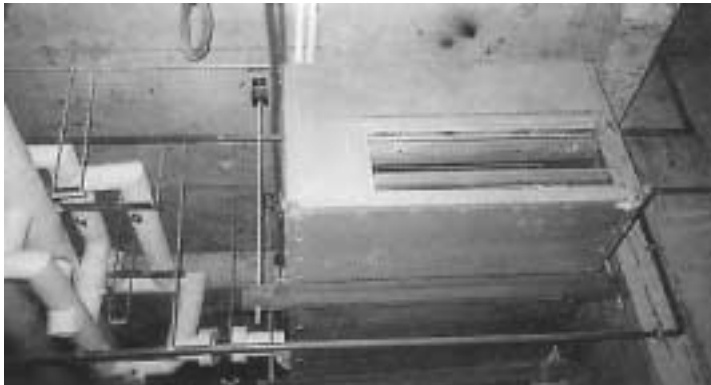
FAX: +1 (713) 263-1133

Internet Address

www.vimco.biz

E-MAIL: sales@vimco.biz

VIBRATION AND NOISE CONTROL PRODUCTS



[Local Representative :](#)

Due to our policy of continual product development and improvement, all specifications are subject to change without prior notice. Please consult your local rep. for updates.

[Catalog no.](#)

G - 1000

Rev. 4



BA - BF series spring mounts are unhoused, laterally stable steel springs, contained in molded neoprene acoustical cups (weld-free construction) with leveling bolt assembly. Series features 3 different sizes with optional mounting plates.



FMD series neoprene mounts incorporate top and bottom embedded steel plates to ensure uniform loading. All mounts have non-skid ribs on bottom surface. Series features various sizes / durometers with color-coded identification for different load / deflection combinations. A versatile and economic solution.

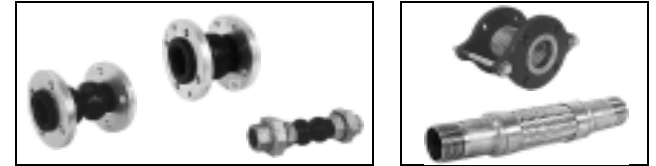


VIMCO pad type isolators are available in 4 different series : **CRMP, SRMP, RMP** and **ECRMP**. The primary vibration absorbing material in all the above pads is neoprene. The **CRMP** series incorporates low density cork between 2 layers of neoprene for added acoustic isolation. All pads feature anti-skid surfaces through ribbed or suction cup construction.

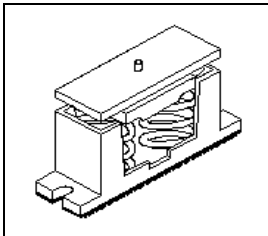
OSM series spring mounts are unhoused, laterally stable steel springs welded to top and bottom steel plates. The upper load plate includes a leveling bolt assembly. Lower steel plate features a neoprene acoustical friction pad. Mounting holes are provided on all mounts as standard. Available in 1" and 2" deflection series.



HS series spring hangers are large diameter steel springs housed in rectangular steel housings. Assembly incorporates dual (steel and elastomer), washers for uniform load distribution and high frequency isolation . Series features three sizes for different capacity ranges, offering a versatile and economic solution. Available in 0.75", 1" and 2" deflection series.



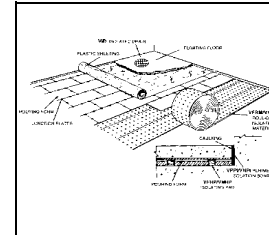
VIMCO expansion joints are available in neoprene and stainless steel construction. 6 models are currently stocked : **FCU, FCS, FCT, JF-500T, JF-500, JF-500H**. Both material constructions are available with flanged and threaded ends. Different materials and constructions are available upon request.



AB series spring mounts consist of high deflection steel springs contained in cast iron telescopic housings. Housings feature neoprene acoustical pads bonded to bottom surface, and horizontal snubbers for lateral stability. Series features various models with multiple spring housings for higher loads, and internal and external leveling options. Available in 1" and 2" deflection series.



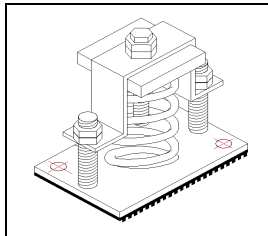
HN series neoprene hangers are neoprene elements housed in sturdy steel housings. Elements include top and bottom steel plates for uniform load distribution. All elements are color-coded for ease of identification. Available in single and double deflection series.



VIMCO formwork floating floor system consists of the following materials :

1. Roll-out isolation material provided with neoprene / fiberglass pads.
2. Closed cell perimeter isolating boards
3. Polyurethane perimeter sealant
4. Neoprene contact adhesive
5. Floating floor isolated drains
6. High load pads (neoprene / fiberglass)

RSM series restrained spring mounts are unhoused, laterally stable steel springs welded to top and bottom steel plates. The series incorporates our Restricto™ bracket/stud assembly which allows vertical movement limits to be set as per engineer specifications. Lower steel plate features a neoprene acoustical pad. Mounting holes are provided on all mounts as standard. Available in 1" and 2" deflection series.



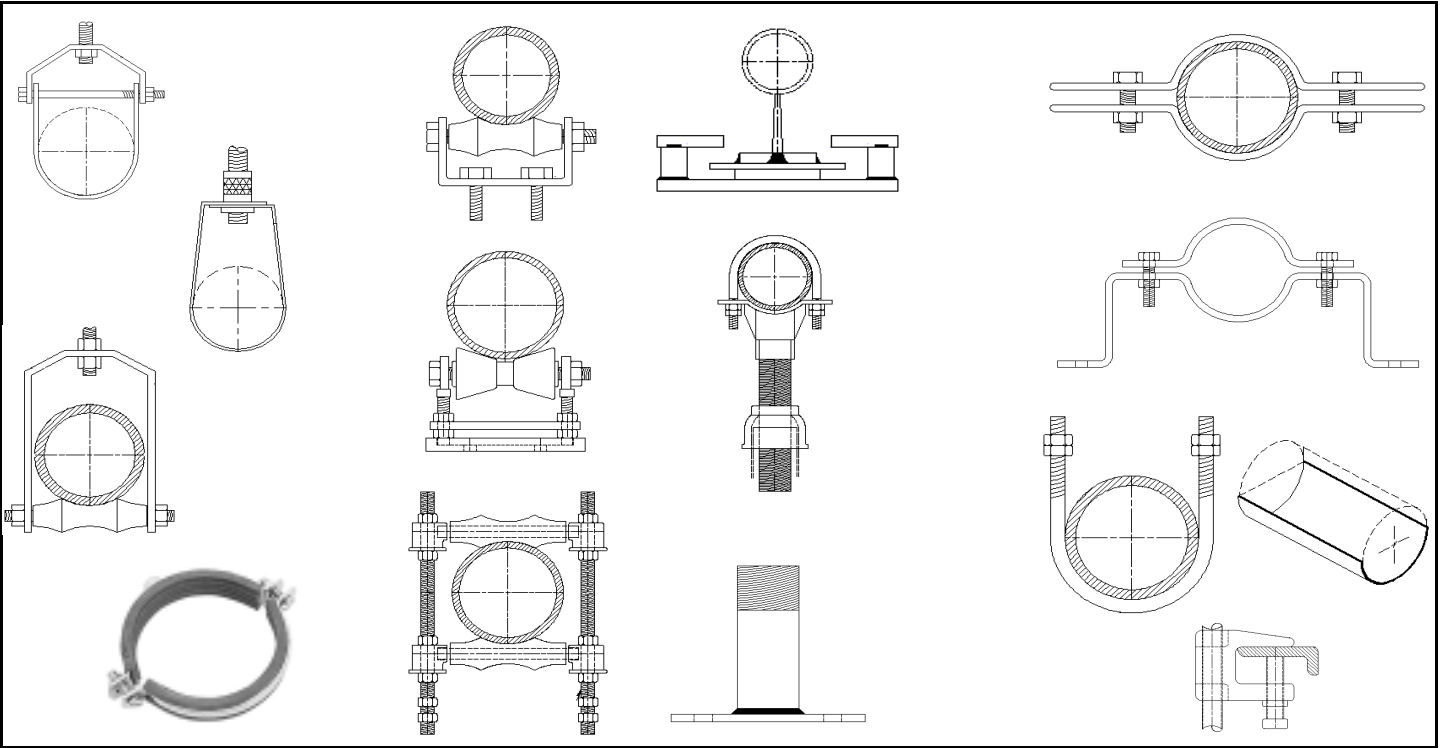
AVHM neoprene hangers are neoprene elements "sandwiched" in top and bottom steel caps, to ensure uniform surface load distribution. AVHM hangers are used in low load applications e.g. fan coil units
RG series rubber grommets are used in non-critical applications, primarily as a noise break. 2 models are currently offered for floor mount and hanger applications.



* All spring isolators feature **VIMCO** exclusive anti-corrosive, galvanized steel springs, color-coded for easy field verification.

ANCILLARY PRODUCTS

PIPE SUPPORTS:



- | | | |
|--|--|--|
| <input type="checkbox"/> Clevis Hangars | <input type="checkbox"/> Roller Chairs | <input type="checkbox"/> Riser Pipe Clamps |
| <input type="checkbox"/> Adjustable Swivel Hangars | <input type="checkbox"/> Roller Guides | <input type="checkbox"/> Insulation Protection Shields |
| <input type="checkbox"/> Roller Hangars | <input type="checkbox"/> Pipe Slide Assemblies | <input type="checkbox"/> U Bolts |
| <input type="checkbox"/> Pipe Clamps (Hangar) | <input type="checkbox"/> Pipe Stands / Adjusters | <input type="checkbox"/> Beam Clamps |

DUCTING / PIPING ACCESSORIES :



- | | | | | |
|--|---|---|--|--|
| <input type="checkbox"/> Thermometers | <input type="checkbox"/> Automatic Airvents | <input type="checkbox"/> Brass Unions | <input type="checkbox"/> Damper Quadrants | <input type="checkbox"/> Splitter Dampers |
| <input type="checkbox"/> Pressure Gauges | <input type="checkbox"/> Syphons | <input type="checkbox"/> Brass Tees | <input type="checkbox"/> Damper Regulators | <input type="checkbox"/> Access Door Locks |
| <input type="checkbox"/> Gauge cocks | <input type="checkbox"/> Test Plugs | <input type="checkbox"/> Brass Elbows | <input type="checkbox"/> Ball Joints | <input type="checkbox"/> Test Ports |
| | | <input type="checkbox"/> Brass Flare Fittings | <input type="checkbox"/> Self - Adhesive Hangar Pins | |

VIMCO

3532-A East TC Jester
Houston, Texas 77018

Internet Address
www.vimco.biz

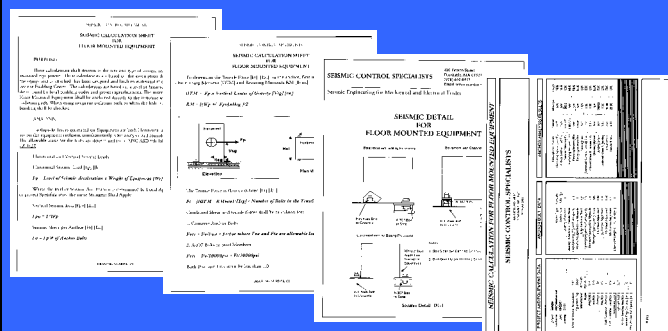
T: +1 (713) 263-8181 F: +1 (713) 263-1133 E: sales@vimco.biz

SEISMIC CONTROL

With the recent enhanced awareness and enforcement of seismic building codes all over the world, after the devastating earthquakes in Gujarat-India, and Valle Del Cauca-Colombia, VIMCO™ now offers single source responsibility for engineering, design analysis, manufacture, and installation expertise for seismic protection of non-structural building components (mechanical equipment, ducting, piping).

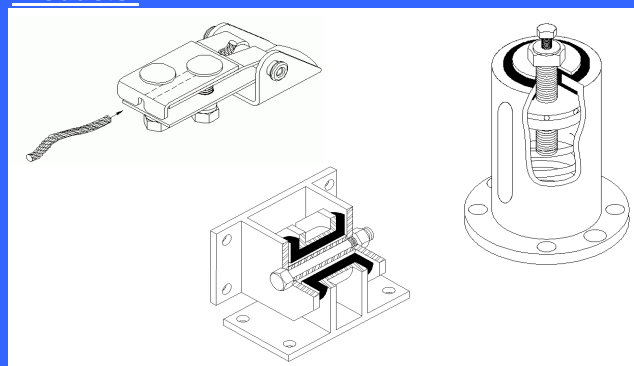
We can work with the engineer in the design stage of new projects, as well as "retrofit" jobs. VIMCO™ provides certified drawings/calculations stamped by Texas registered professional engineers. Other state certifications are also available. Please check with factory for your requirements. Calculations are based on projects applicable code: UBC, BOCA, SBC or local codes. Where more than one code is specified, we shall use the more stringent.

Sample Calculations:



A range of solutions can be recommended/supplied. We manufacture an independent line of seismic spring isolators with built-in internal restraints. We can also propose a solution with a combination of our standard line of vibration isolators and our engineer certified model SNB external snubber. Our versatile cable restraint system is available for use with a wide range of seismic cable/bolt sizes.

Products:

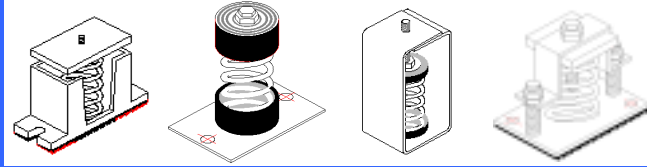


VIBRATION AND NOISE CONTROL PRODUCTS

For Industrial, HVAC and Acoustic Applications

since 1983

* Spring Isolators



* Elastomer Isolators



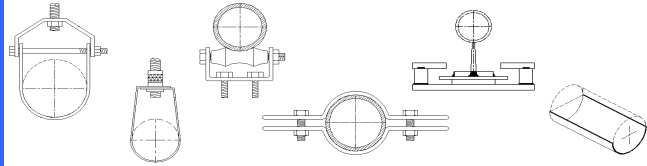
* Anti-Vibration Pads



* Expansion Joints



* Pipe Supports



Clevis Hangers

Roller Chairs

Pipe Slides

Roller Hangers

Pipe Clamps

Insulation Shields

Adjustable Swivel Hangers

Rubber Insulation Inserts

* Ancillary Product Lines

Duct Accessories

Instrumentation

Misc:

Damper Quadrants

Thermometers

Test Plugs

Stuck-up pins

Pressure Gauges

Syphons

Splitter Dampers

Automatic Airvents

Ball Joints

Gauge cocks

Access Door Locks



VIBRATION MANAGEMENT CORPORATION

3532-A East TC Jester

Houston - Texas 77018, USA

Browse our online catalog at www.vimco.biz

T: +1 (713) 263-8181 F: +1 (713) 263-1133 E: sales@vimco.biz