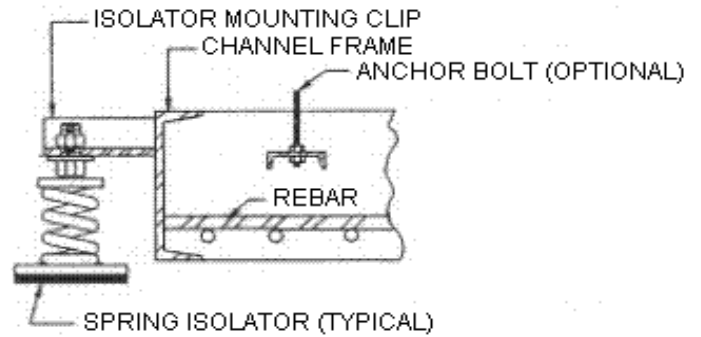
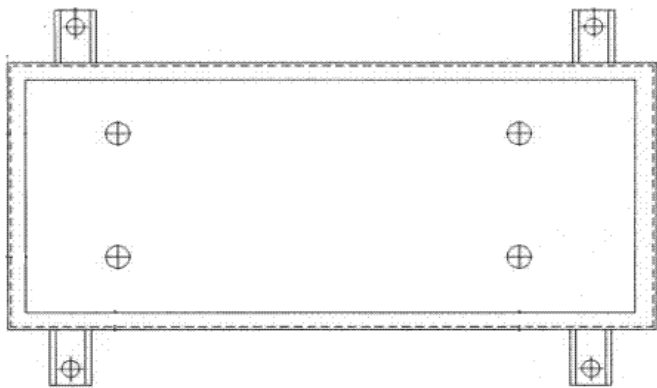


1. Lay a sheet of polyethylene on floor and place inertia base in its operating location with rebar located toward bottom of base.
2. If anchor bolts are provided by VIMCO, verify that their locations match equipment mounting holes. Pour concrete and let it cure.
3. After concrete hardens, raise inertia base to install isolators under isolator mounting clips and place blocks/shims to maintain inertia base at operating level.
4. Install equipment on base and anchor in place using VIMCO anchor bolts or post-drill anchors.
5. Use isolator height adjustment mechanisms to raise base of blocks/shims and level.
6. Remove blocks/shims and clear debris after leveling.



Notes / Remarks :

VIBRATION MANAGEMENT CORPORATION

5930 THOMAS ROAD

Internet address:

HOUSTON - TEXAS 77041 , USA

www.vimco.biz

Project :

Title :

INERTIA BASE

Drawing no.

Client :

Installation Instructions

I-300001.01

Consultant :

Representative:

Rev. 0