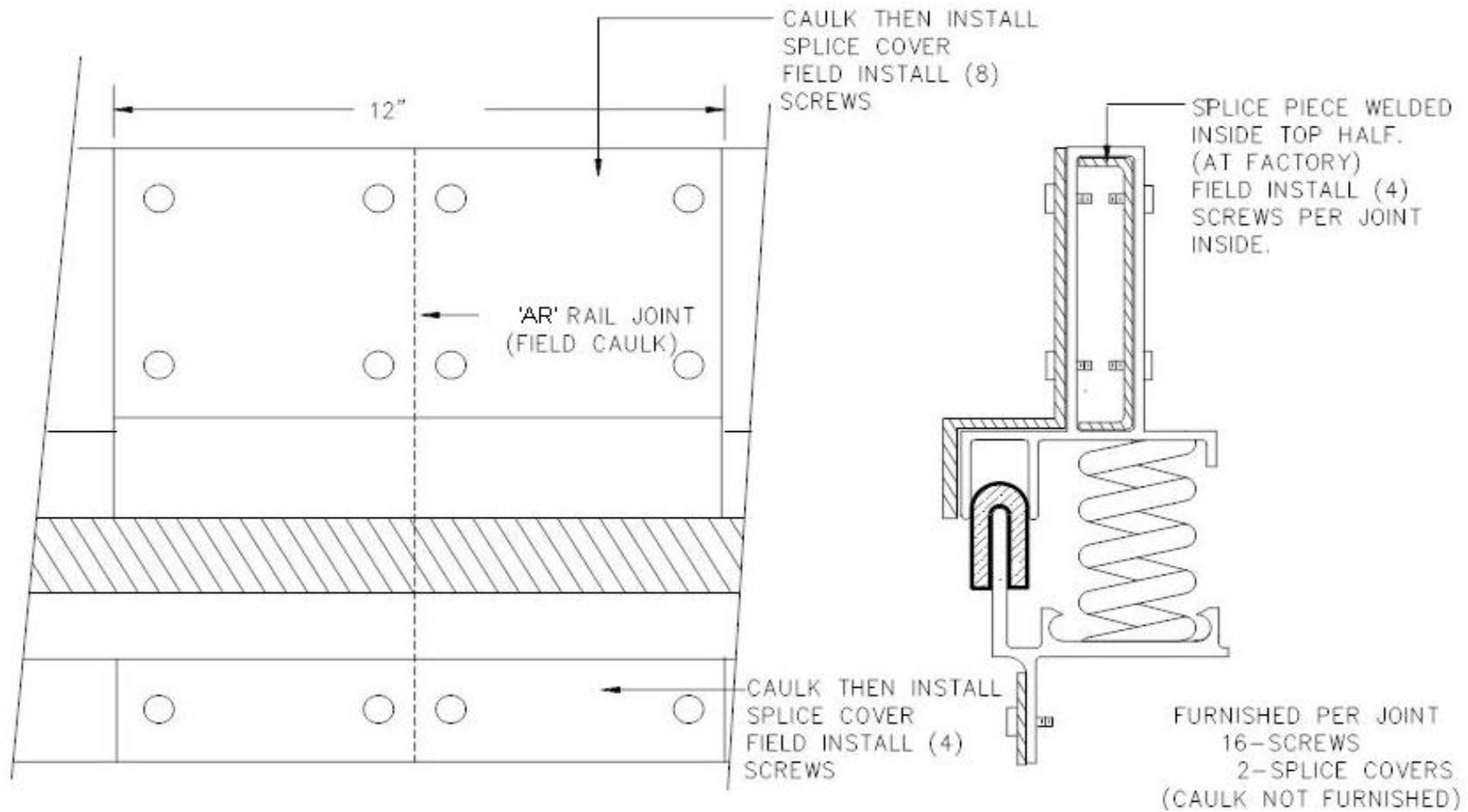


VIBRATION MANAGEMENT CORPORATION

5930 THOMAS ROAD , HOUSTON , TEXAS 77041 , U.S.A

INTERNET ADDRESS: www.vimco.biz



Notes / Remarks :

Project :
Client :
Consultant :
Representative :

Title :

'AR' SPLICE KIT
installation

Drawing no.
I-300011.04

Rev. 0