

VIBRATION MANAGEMENT CORPORATION

3532 - A EAST TC JESTER, BROOKWOOD BUSINESS PARK
HOUSTON, TEXAS 77018, U.S.A.

TEL: +1 (713) 263-8181 FAX: +1 (713) 263-1133

Internet Address

www.vimco.biz

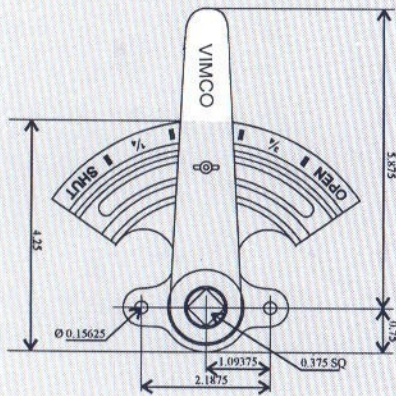
E-MAIL : sales@vimco.biz

HVAC DUCTING ACCESSORIES

Damper quadrant / regulator sets

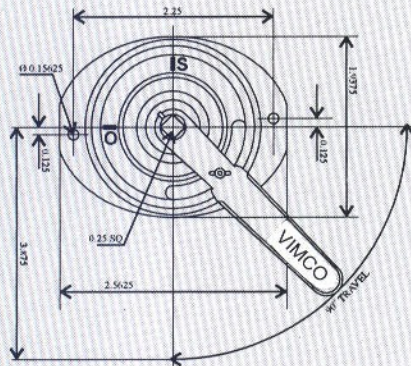
Code	Set consists of
VDR-2	VR-2 regulator + VB-2 square bearing + VSB-2 spring bearing
VDR-538	VR-538 regulator + VB-538 square bearing + VSB-538 spring bearing
VDQ-538	VQ-538 regulator + VB-538 square bearing + VSB-538 spring bearing
VDQ-512	VQ-512 regulator + VB-512 square bearing +

Quadrants



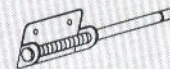
VQ-538

Regulators

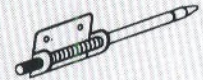


VR-2

Bearings

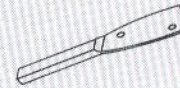


VSB-2

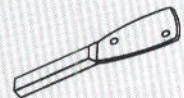


VSB-538

Spring bearings



VB-2

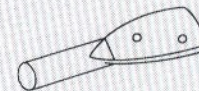


VB-538



VB-512

Square bearings



VRB-512

Round bearing

VB-2 : 1/4" square bearing

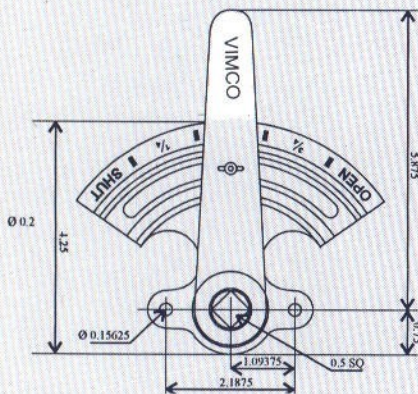
VB-538 : 3/8" square bearing

VB-512 : 1/2" square bearing

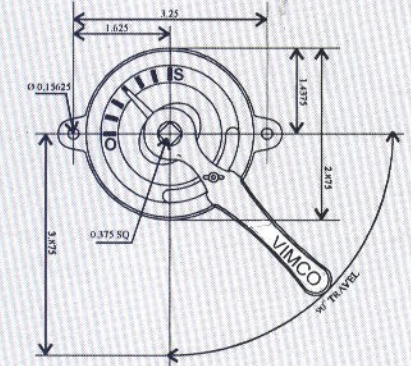
VRB-512 : 1/2" round bearing

VSB-2 : 1/4" spring bearing

VSB-538 : 3/8" spring bearing



VQ-512



VR-538

All dimensions are in inches unless otherwise mentioned

Local Representative :

Due to our policy of continual product development and improvement, all specifications are subject to change without prior notice. Please consult your local rep. for updates.

Catalog no.

P - 2800
Rev. 2

