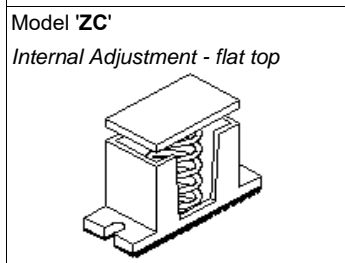
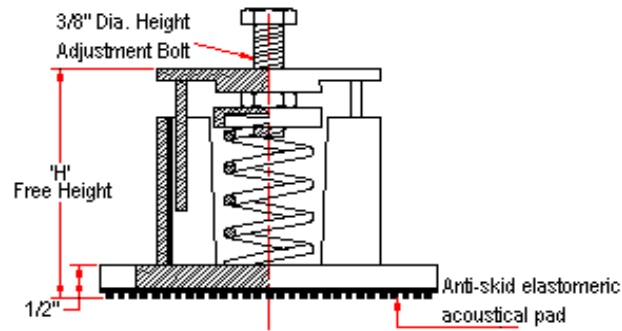
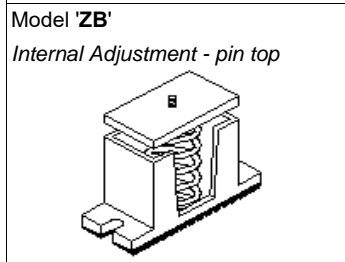
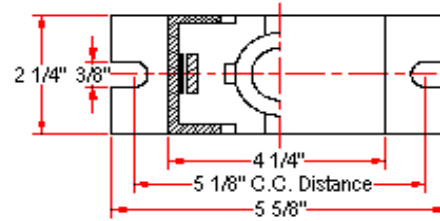
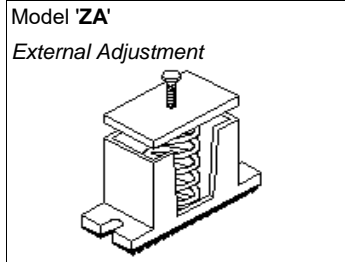


VIBRATION MANAGEMENT CORPORATION

5930 THOMAS ROAD , HOUSTON , TEXAS 77041 , U.S.A

INTERNET ADDRESS: www.vimco.biz



N.T.S.

NOTES

1. Cast iron housings.
2. Springs have 50% additional travel to solid beyond rated load.
3. Isolators should be selected in the range of -30% to +25% of rated load.
4. Adjust mounting so that upper housing clears lower housing by atleast 1/4" but not more than 1/2".
5. Consult spring chart for isolator performance data.
6. Free height indicated above is for ZA isolator. ZB,ZC free height is 4 1/4". ZD free height is 4 1/2"

ISOLATOR MODEL	RATED LOAD (lbs)	SOLID LOAD (lbs)
Zx-121	40	60
Zx-122	66	100
Zx-123	110	165
Zx-124	173	260
Zx-125	246	370
Zx-126	300	450
Zx-127	560	840

x Choose appropriate isolator model: ZA,ZB,ZC,ZD using mounting style diagrams on left.

FEATURES

- * Resilient elastomeric snubbers to prevent metal to metal contact
- * Anti-skid elastomeric acoustical pad
- * Built-in leveling device
- * Spring elements color-coded for easy field verification

Notes / Remarks :

Project :
Client :
Consultant :
Representative :

Title :

ZA / ZB / ZC / ZD
Housed Spring Mount
(1" deflection)

Drawing no.
S-2000.01

Rev. 2