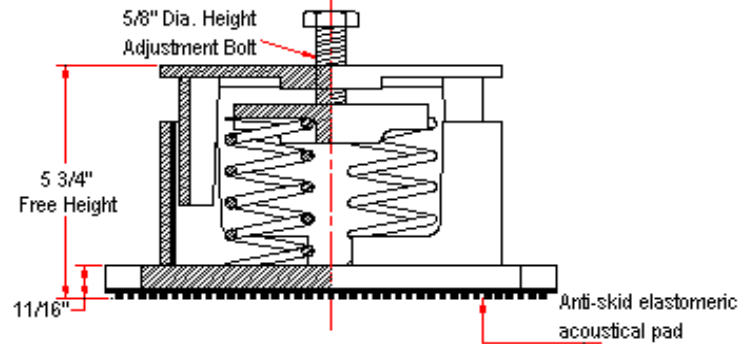
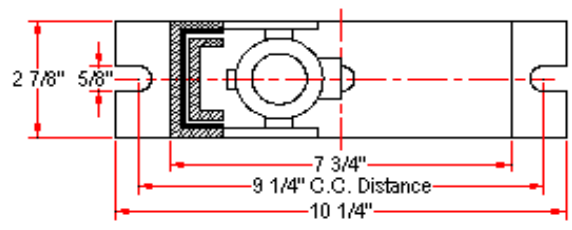
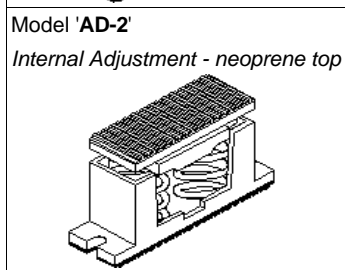
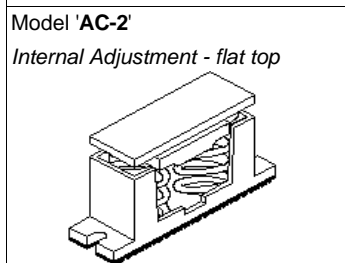
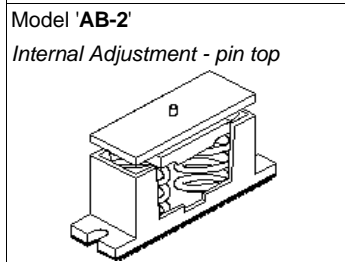
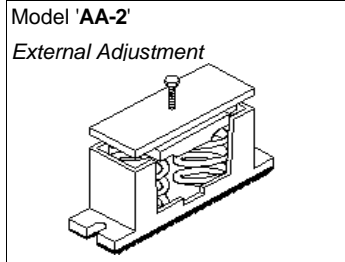


VIBRATION MANAGEMENT CORPORATION

3532-A EAST TC JESTER , BROOKWOOD BUSINESS PARK , HOUSTON , TEXAS 77018 , U.S.A

INTERNET ADDRESS: www.vimco.biz



N.T.S.

NOTES

1. Cast iron housings.
2. Springs have 50% additional travel to solid beyond rated load
3. Isolators should be selected in the range of -30% to +25% of rated load.
4. Adjust mounting so that upper housing clears lower housing by atleast 1/4" but not more than 1/2".
5. Consult spring chart for isolator performance data.
6. Free height indicated above is for AA-1 isolator.
AB-1,AC-1 free height is 5 7/8". AD-1 free height is 6 1/8"

ISOLATOR MODEL	RATED LOAD (lbs)	SOLID LOAD (lbs)
Ax-2-101	112	170
Ax-2-102	152	230
Ax-2-103	226	340
Ax-2-104	300	450
Ax-2-105	432	650
Ax-2-106	600	900
Ax-2-107	800	1200
Ax-2-108	1000	1500
Ax-2-109	1200	1800
Ax-2-110	1466	2200
Ax-2-111	1732	2600
Ax-2-112	2000	3000
Ax-2-101-113	1014	1522
Ax-2-102-113	1052	1578
Ax-2-103-113	1108	1662
Ax-2-104-113	1164	1748
Ax-2-105-113	1294	1942
Ax-2-106-113	1432	2150
Ax-2-107-113	1600	2400
Ax-2-108-113	1842	2764
Ax-2-109-113	2132	3200
Ax-2-110-113	2212	3320
Ax-2-111-113	2480	3720
Ax-2-112-113	2932	4400

x Choose appropriate isolator model: AA,AB,AC,AD using mounting style diagrams on left.

FEATURES

- * Resilient elastomeric snubbers to prevent metal to metal contact
- * Anti-skid elastomeric acoustical pad
- * Built-in leveling device
- * Spring elements color-coded for easy field verification

Notes / Remarks :

Project :
Client :
Consultant :
Representative :

Title : **AA-2 / AB-2 / AC-2 / AD-2**
Housed Spring Mount
(1" deflection)

Drawing no. **S-2000.03**

Rev. 1