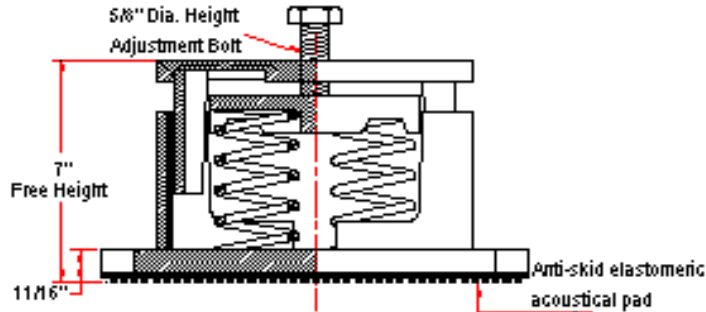
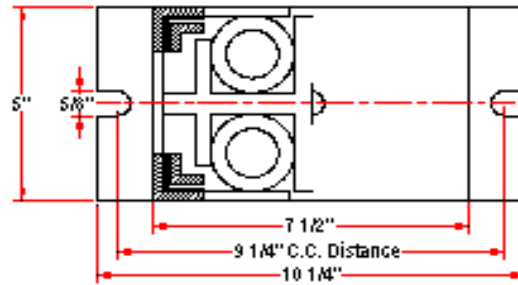
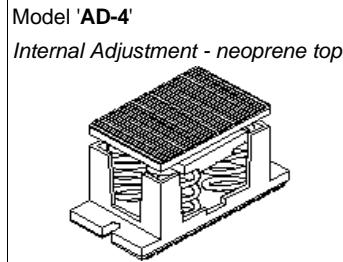
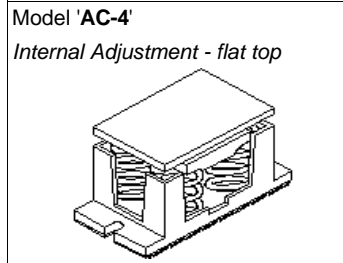
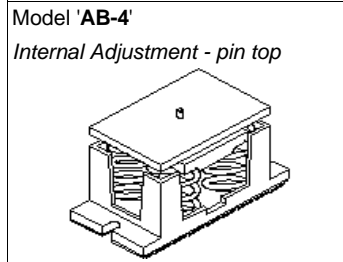
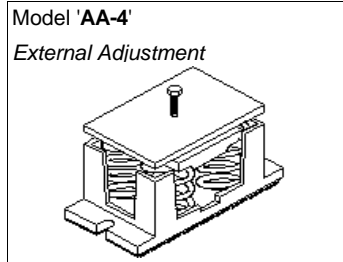


VIBRATION MANAGEMENT CORPORATION

3532-A EAST TC JESTER , BROOKWOOD BUSINESS PARK , HOUSTON , TEXAS 77018 , U.S.A

INTERNET ADDRESS: www.vimco.biz



N.T.S.

NOTES

1. Cast iron housings.
2. Springs have 50% additional travel to solid beyond rated load.
3. Isolators should be selected in the range of -30% to +25% of rated load.
4. Adjust mounting so that upper housing clears lower housing by atleast 1/4" but not more than 1/2".
5. Consult spring chart for isolator performance data.
6. Free height indicated above is for AA-4 isolator.
AB-4,AC-4 free height is 7 1/2". AD-4 free height is 7 3/4"

ISOLATOR MODEL	RATED LOAD (lbs)	SOLID LOAD (lbs)
Ax-4-140	264	400
Ax-4-141	532	800
Ax-4-142	1000	1500
Ax-4-143	1332	2000
Ax-4-144	1904	2856
Ax-4-147	3812	5720
Ax-4-148A	5044	7568
Ax-4-140-146B	1840	2760
Ax-4-141-146B	2072	3112
Ax-4-142-146B	2600	3904
Ax-4-143-146B	2932	4400
Ax-4-144-146B	3504	5256
Ax-4-147-146B	5412	8120
Ax-4-148A-146B	6644	9968

x Choose appropriate isolator model: AA,AB,AC,AD using mounting style diagrams on left.

FEATURES

- * Resilient elastomeric snubbers to prevent metal to metal contact
- * Anti-skid elastomeric acoustical pad
- * Built-in leveling device
- * High deflection, low natural frequency
- * Spring elements color-coded for easy field verification

Notes / Remarks :

Project :
Client :
Consultant :
Representative :

Title : **AA-4 / AB-4 / AC-4 / AD-4**
Housed Spring Mount
(2" deflection)

Drawing no.
S-2000.13

Rev. 1