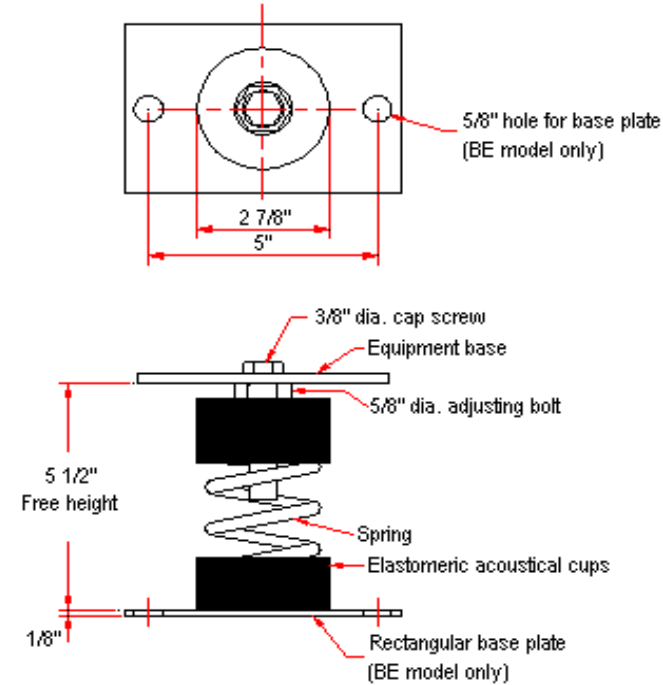
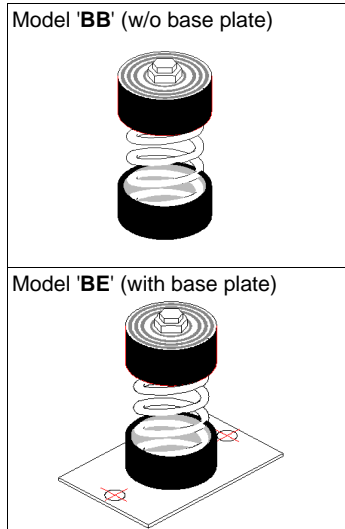


VIBRATION MANAGEMENT CORPORATION

3532-A EAST TC JESTER , BROOKWOOD BUSINESS PARK , HOUSTON , TEXAS 77018 , U.S.A

INTERNET ADDRESS: www.vimco.biz



N.T.S

ISOLATOR MODEL	RATED LOAD (lbs)	SOLID LOAD (lbs)
BB-150	83	125
BB-151	150	225
BB-152	216	325
BB-153	300	450
BB-154	400	600
BB-155	500	750
BB-156	600	900
BB-157	733	1100
BB-158	1200	1800
BB-159	1666	2500
BB-150-161	481	722
BB-151-161	532	799
BB-152-161	597	896
BB-153-161	666	1000
BB-154-161	750	1125
BB-155-161	871	1307
BB-156-161	1016	1525
BB-157-161	1108	1663
BB-158-161	1616	2425
BB-159-161	2083	3125

NOTES

1. Isolators have a min. operating Kx/Ky ratio of 1.0
2. Springs have 50% additional travel to solid beyond rated load.
3. Isolators should be selected in the range of -30% to +25 % of rated load.
4. Consult spring chart for isolator performance data.

FEATURES

- * Large diameter laterally stable springs
- * Weld-free construction
- * Anti-skid elastomeric acoustical cup
- * Built-in leveling device
- * Spring elements color-coded for easy field verification

Notes / Remarks :

Project :
Client :
Consultant :
Representative :

Title :

BB / BE
Free-standing Spring Mount
Rubber Cup Construction
(1" deflection)

Drawing no.

S-2025.02

Rev. 1