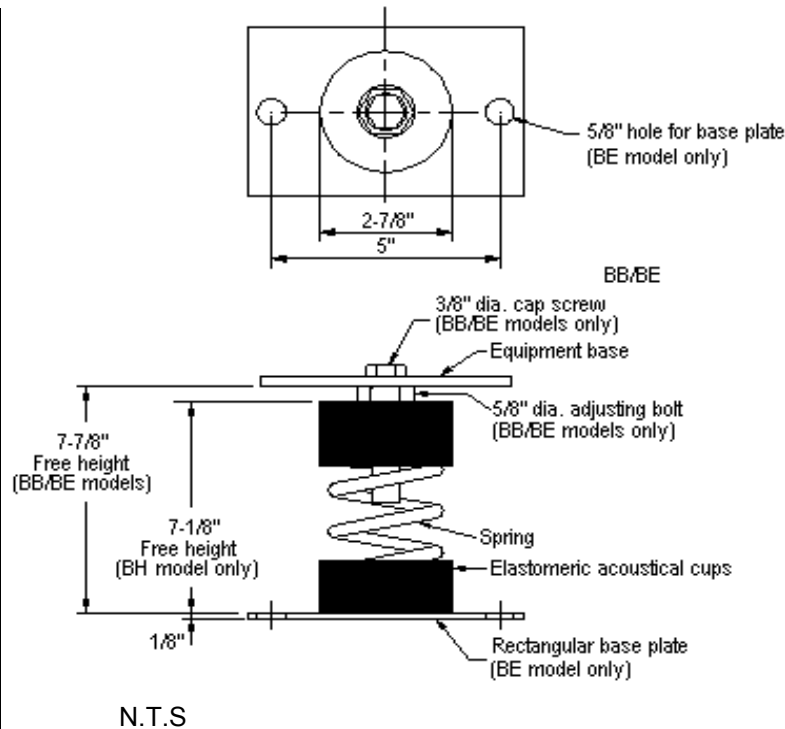
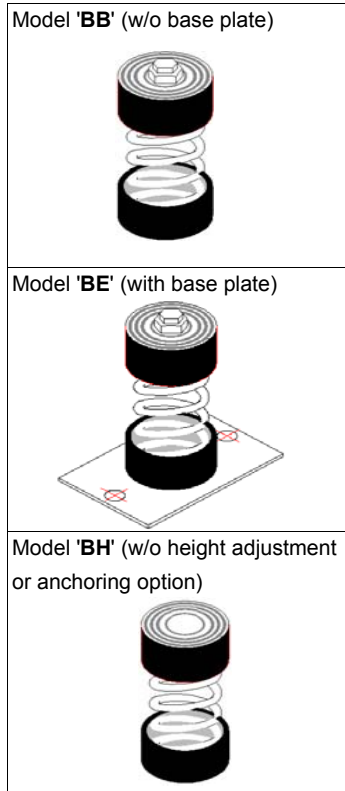


# VIBRATION MANAGEMENT CORPORATION

5930 THOMAS ROAD , HOUSTON , TEXAS 77041 , U.S.A

INTERNET ADDRESS: [www.vimco.biz](http://www.vimco.biz)



ISOLATOR MODEL	RATED LOAD (lbs)	SOLID LOAD (lbs)
Bx-201	60	90
Bx-202	100	150
Bx-203	150	225
Bx-204	250	375
Bx-205	400	600
Bx-206	700	1050
Bx-207	926	1390
Bx-201-219	593	890
Bx-202-219	633	950
Bx-203-219	683	1025
Bx-204-219	783	1175
Bx-205-219	933	1400
Bx-206-219	1233	1850
Bx-207-219	1460	2190

x Choose appropriate isolator model: BB, BE, BH using mounting style diagrams on left.

## FEATURES

- \* Large diameter laterally stable springs
- \* Weld-free construction
- \* Anti-skid elastomeric acoustical cup
- \* Built-in leveling device
- \* High deflection, low natural frequency
- \* Spring elements color-coded for easy field verification

## NOTES

1. Springs have 50% additional travel to solid beyond rated load.
2. Isolators should be selected in the range of -30% to +25% of rated load
3. Consult spring chart for isolator performance data.

Notes / Remarks :

Project :  
Client :  
Consultant :  
Representative :

Title :

**BB / BE / BH**  
**Free-standing Spring Mount**  
**Rubber Cup Construction**  
**(2" deflection)**

Drawing no.

**S-2025.12**

Rev. 0