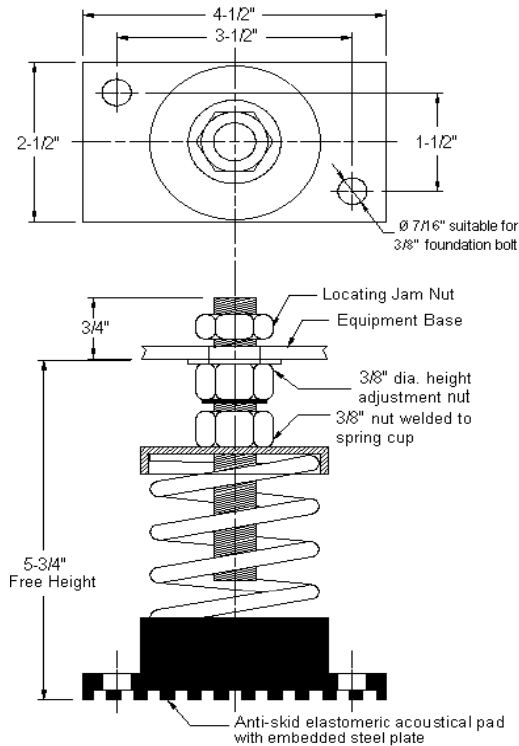
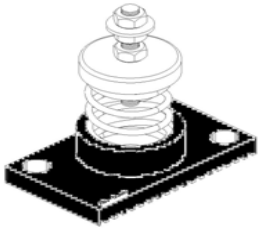


VIBRATION MANAGEMENT CORPORATION

5930 THOMAS ROAD , HOUSTON , TEXAS 77041 , U.S.A

INTERNET ADDRESS: www.vimco.biz



N.T.S

NOTES

1. Springs have 50% additional travel to solid beyond rated load.
2. Isolators should be selected in the range of -30% to +25% of rated load.
3. Consult spring chart for isolator performance data.

ISOLATOR MODEL	RATED LOAD (lbs)	SOLID LOAD (lbs)
BK-101	56	85
BK-102	76	115
BK-103	113	170
BK-104	150	225
BK-105	216	325
BK-106	300	450
BK-107	400	600
BK-108	500	750
BK-109	600	900
BK-110	733	1100
BK-111	866	1300
BK-112	1000	1500
BK-101-113	507	761
BK-102-113	526	789
BK-103-113	554	831
BK-104-113	582	874
BK-105-113	647	971
BK-106-113	716	1075
BK-107-113	800	1200
BK-108-113	921	1382
BK-109-113	1066	1600
BK-110-113	1106	1660
BK-111-113	1240	1860
BK-112-113	1466	2200

FEATURES

- * Large diameter laterally stable springs
- * Weld-free construction
- * Anti-skid elastomeric acoustical base plate
- * Built-in leveling device
- * Mounting holes furnished as standard
- * Spring elements color-coded for easy field verification

Notes / Remarks :

Project :
Client :
Consultant :
Representative :

Title :

BK
Free-standing Spring Mount
Rubber Base Plate Construction
(1" deflection)

Drawing no. **S-2030.02**

Rev. 1