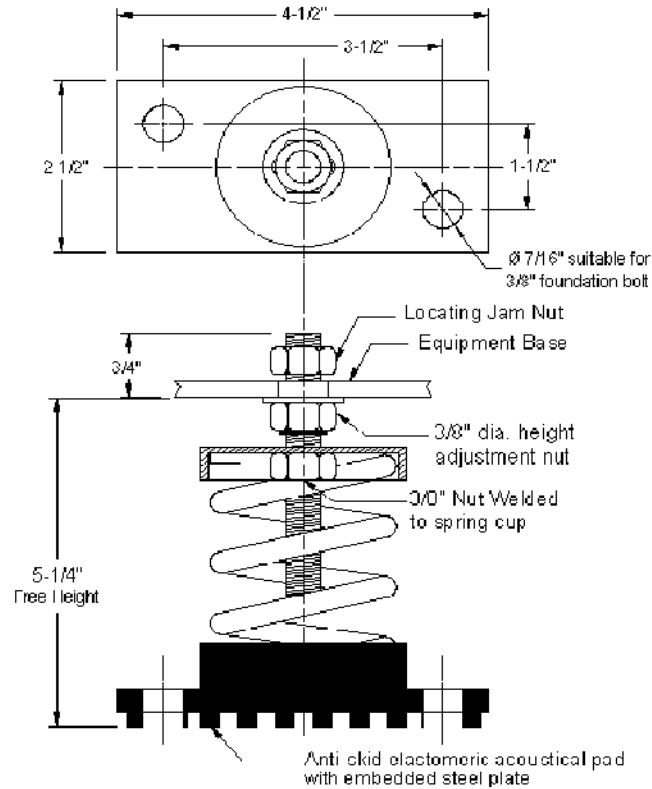
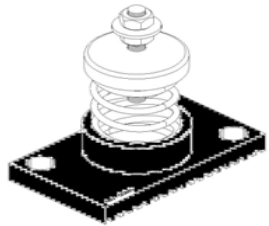


VIBRATION MANAGEMENT CORPORATION

5930 THOMAS ROAD , HOUSTON , TEXAS 77041 , U.S.A

INTERNET ADDRESS: www.vimco.biz



N.T.S

ISOLATOR MODEL	RATED LOAD (lbs)	SOLID LOAD (lbs)
BK-081	32	48
BK-082	50	76
BK-083	89	134
BK-084	158	237
BK-085	280	420
BK-086	360	540
BK-087	485	728

FEATURES

- * Large diameter laterally stable springs
- * Weld-free construction
- * Anti-skid elastomeric acoustical base plate
- * Built-in leveling device
- * Mounting holes furnished as standard
- * High deflection, low natural frequency
- * Spring elements color-coded for easy field verification

NOTES

1. Springs have 50% additional travel to solid beyond rated load.
2. Isolators should be selected in the range of -30% to +25% of rated load.
3. Consult spring chart for isolator performance data.

Notes / Remarks :

Project :
Client :
Consultant :
Representative :

Title :

BK
Free-standing Spring Mount
Rubber Base Plate Construction
(2" deflection)

Drawing no.

S-2030.11

Rev. 0