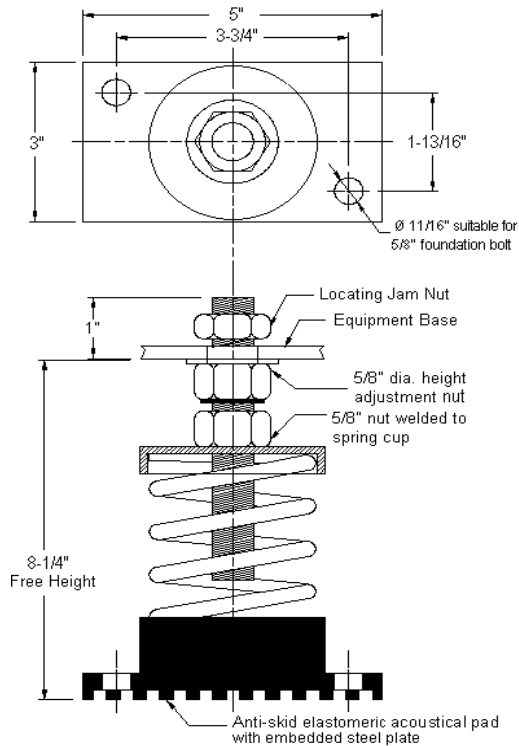
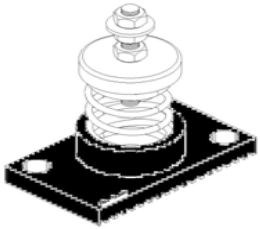


# VIBRATION MANAGEMENT CORPORATION

5930 THOMAS ROAD , HOUSTON , TEXAS 77041 , U.S.A

INTERNET ADDRESS: [www.vimco.biz](http://www.vimco.biz)



N.T.S

## NOTES

1. Springs have 50% additional travel to solid beyond rated load.
2. Isolators should be selected in the range of -30% to +25% of rated load.
3. Consult spring chart for isolator performance data.

ISOLATOR MODEL	RATED LOAD (lbs)	SOLID LOAD (lbs)
BL-201	60	90
BL-202	100	150
BL-203	150	225
BL-204	250	375
BL-205	400	600
BL-206	700	1050
BL-207	926	1390
BL-201-219	593	890
BL-202-219	633	950
BL-203-219	683	1025
BL-204-219	783	1175
BL-205-219	933	1400
BL-206-219	1233	1850
BL-207-219	1460	2190

## FEATURES

- \* Large diameter laterally stable springs
- \* Weld-free construction
- \* Anti-skid elastomeric acoustical base plate
- \* Built-in leveling device
- \* Mounting holes furnished as standard
- \* High deflection, low natural frequency
- \* Spring elements color-coded for easy field verification

Notes / Remarks :

Project :  
Client :  
Consultant :  
Representative :

Title :

**BL**  
Free-standing Spring Mount  
Rubber Base Plate Construction  
(2" deflection)

Drawing no.

**S-2030.12**

Rev. 1