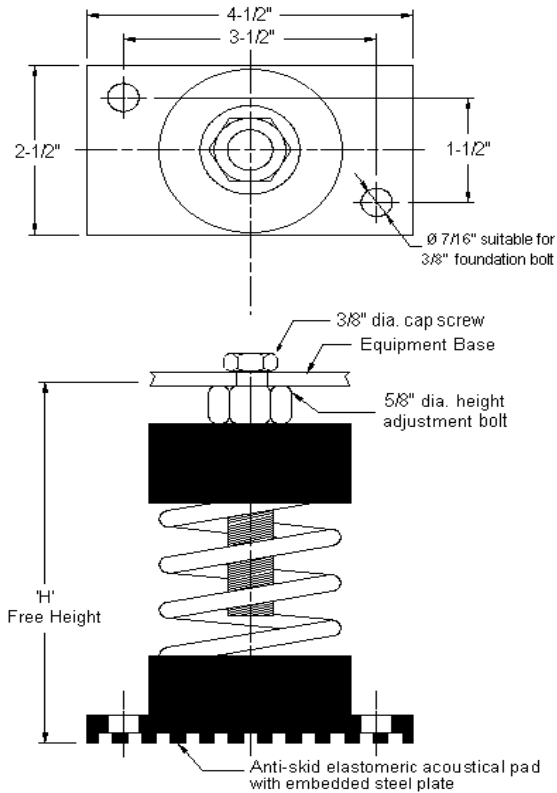
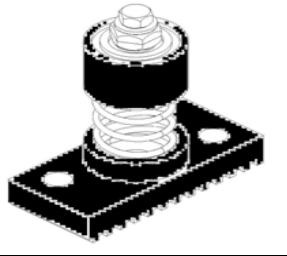


VIBRATION MANAGEMENT CORPORATION

5930 THOMAS ROAD , HOUSTON , TEXAS 77041 , U.S.A

INTERNET ADDRESS: www.vimco.biz



N.T.S

NOTES

1. Isolators have a min. operating Kx/Ky ratio of 1.0
2. Springs have 50% additional travel to solid beyond rated load.
3. Isolators should be selected in the range of -30% to +25% of rated load.
4. Consult spring chart for isolator performance data.

ISOLATOR MODEL	RATED LOAD (lbs)	SOLID LOAD (lbs)	H (inches)
BS-121	40	60	4 1/2
BS-122	66	100	
BS-123	110	165	
BS-124	173	260	
BS-125	246	370	
BS-126	300	450	
BS-127	560	840	5 3/4
BS-101	56	85	
BS-102	76	115	
BS-103	113	170	
BS-104	150	225	
BS-105	216	325	
BS-106	300	450	
BS-107	400	600	
BS-108	500	750	
BS-109	600	900	
BS-110	733	1100	
BS-111	866	1300	
BS-112	1000	1500	

FEATURES

- * Large diameter laterally stable springs
- * Weld-free construction
- * Anti-skid elastomeric acoustical base plate
- * Built-in leveling device
- * Mounting holes furnished as standard
- * Spring elements color-coded for easy field verification

Notes / Remarks :

Project :
Client :
Consultant :
Representative :

Title :

BS
Free-standing Spring Mount
Rubber Base Plate Construction
(1" deflection)

Drawing no. **S-2035.02**

Rev. 1