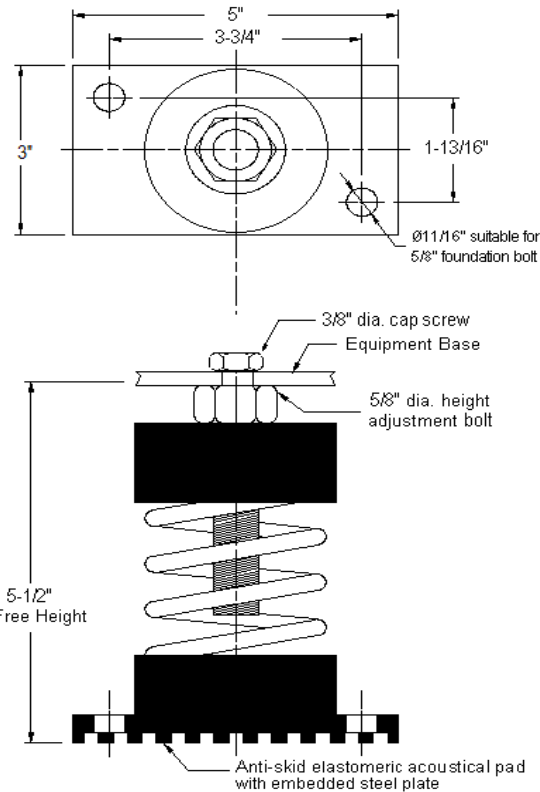
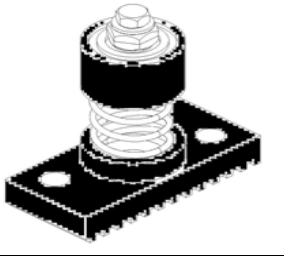


VIBRATION MANAGEMENT CORPORATION

5930 THOMAS ROAD , HOUSTON , TEXAS 77041 , U.S.A

INTERNET ADDRESS: www.vimco.biz



N.T.S

NOTES

1. Isolators have a min. operating Kx/Ky ratio of 1.0
2. Springs have 50% additional travel to solid beyond rated load.
3. Isolators should be selected in the range of -30% to +25% of rated load.
4. Consult spring chart for isolator performance data.

ISOLATOR MODEL	RATED LOAD (lbs)	SOLID LOAD (lbs)
BT-150	83	125
BT-151	150	225
BT-152	216	325
BT-153	300	450
BT-154	400	600
BT-155	500	750
BT-156	600	900
BT-157	733	1100
BT-158	1200	1800
BT-159	1666	2500
BT-150-161	481	722
BT-151-161	532	799
BT-152-161	597	896
BT-153-161	666	1000
BT-154-161	750	1125
BT-155-161	871	1307
BT-156-161	1016	1525
BT-157-161	1108	1663
BT-158-161	1616	2425
BT-159-161	2083	3125

FEATURES

- * Large diameter laterally stable springs
- * Weld-free construction
- * Anti-skid elastomeric acoustical base plate
- * Built-in leveling device
- * Mounting holes furnished as standard
- * Spring elements color-coded for easy field verification

Notes / Remarks :

Project :
Client :
Consultant :
Representative :

Title :

BT
Free-standing Spring Mount
Rubber Base Plate Construction
(1" deflection)

Drawing no. **S-2035.03**
Rev. 1