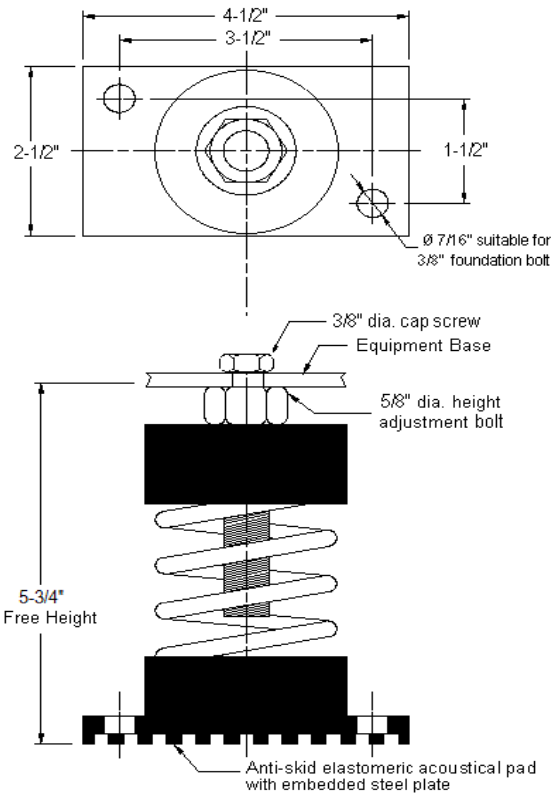
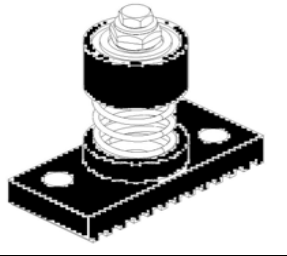


VIBRATION MANAGEMENT CORPORATION

5930 THOMAS ROAD , HOUSTON , TEXAS 77041 , U.S.A

INTERNET ADDRESS: www.vimco.biz



ISOLATOR MODEL	RATED LOAD (lbs)	SOLID LOAD (lbs)
BS-081	32	48
BS-082	50	76
BS-083	89	134
BS-084	158	237
BS-085	280	420
BS-086	360	540
BS-087	485	728

FEATURES

- * Large diameter laterally stable springs
- * Weld-free construction
- * Anti-skid elastomeric acoustical base plate
- * Built-in leveling device
- * Mounting holes furnished as standard
- * High deflection, low natural frequency
- * Spring elements color-coded for easy field verification

N.T.S

NOTES

1. Springs have 50% additional travel to solid beyond rated load.
2. Isolators should be selected in the range of -30% to +25% of rated load.
3. Consult spring chart for isolator performance data.

Notes / Remarks :

Project :
Client :
Consultant :
Representative :

Title :

BS
Free-standing Spring Mount
Rubber Base Plate Construction
(2" deflection)

Drawing no.

S-2035.11

Rev. 1