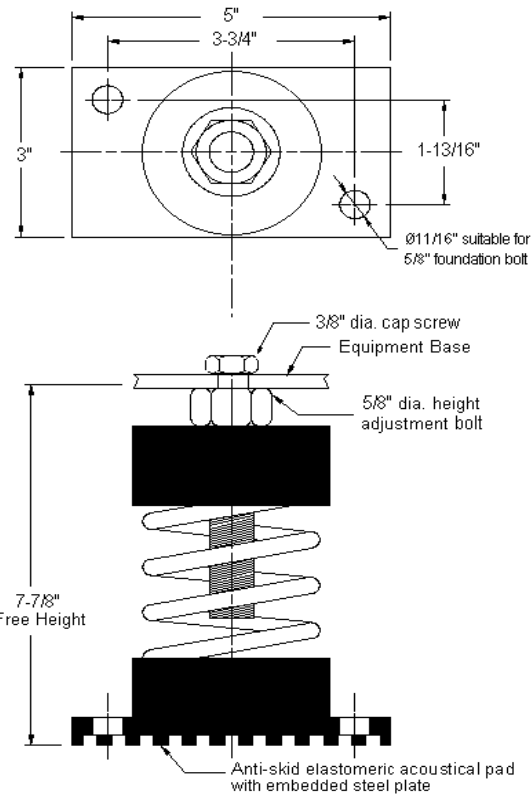
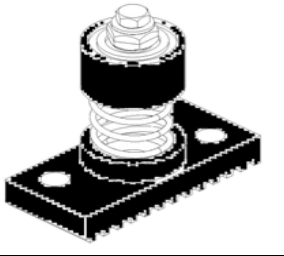


VIBRATION MANAGEMENT CORPORATION

5930 THOMAS ROAD , HOUSTON , TEXAS 77041 , U.S.A

INTERNET ADDRESS: www.vimco.biz



N.T.S

NOTES

1. Isolators have a min. operating Kx/Ky ratio of 1.0
2. Springs have 50% additional travel to solid beyond rated load.
3. Isolators should be selected in the range of -30% to +25% of rated load.
4. Consult spring chart for isolator performance data.

| ISOLATOR MODEL | RATED LOAD (lbs) | SOLID LOAD (lbs) |
|----------------|------------------|------------------|
| BT-201 | 60 | 90 |
| BT-202 | 100 | 150 |
| BT-203 | 150 | 225 |
| BT-204 | 250 | 375 |
| BT-205 | 400 | 600 |
| BT-206 | 700 | 1050 |
| BT-207 | 926 | 1390 |
| BT-201-219 | 593 | 890 |
| BT-202-219 | 633 | 950 |
| BT-203-219 | 683 | 1025 |
| BT-204-219 | 783 | 1175 |
| BT-205-219 | 933 | 1400 |
| BT-206-219 | 1233 | 1850 |
| BT-207-219 | 1460 | 2190 |

FEATURES

- * Large diameter laterally stable springs
- * Weld-free construction
- * Anti-skid elastomeric acoustical base plate
- * Built-in leveling device
- * Mounting holes furnished as standard
- * Spring elements color-coded for easy field verification

Notes / Remarks :

Project :
Client :
Consultant :
Representative :

Title :

BT
Free-standing Spring Mount
Rubber Base Plate Construction
(2" deflection)

Drawing no. **S-2035.12**
Rev. 1