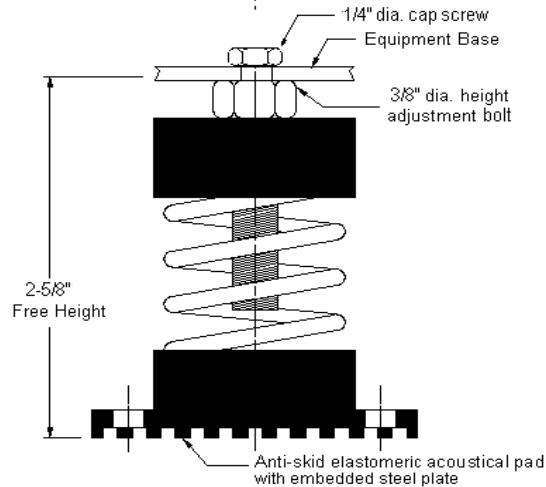
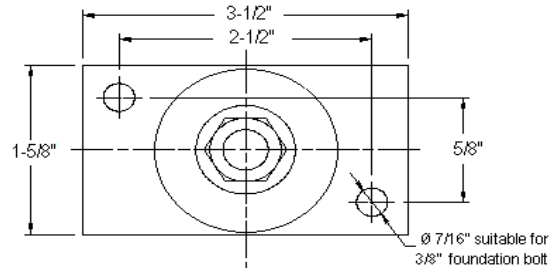
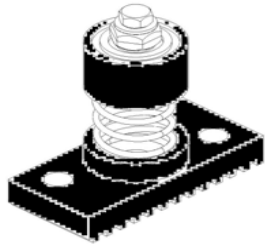


VIBRATION MANAGEMENT CORPORATION

5930 THOMAS ROAD , HOUSTON , TEXAS 77041 , U.S.A

INTERNET ADDRESS: www.vimco.biz



N.T.S

ISOLATOR MODEL	RATED LOAD (lbs)	SOLID LOAD (lbs)
BR-021	20	30
BR-022	44	66
BR-023	70	105
BR-024	100	150

FEATURES

- * Large diameter laterally stable springs
- * Weld-free construction
- * Anti-skid elastomeric acoustical base plate
- * Built-in leveling device
- * Mounting holes furnished as standard
- * Spring elements color-coded for easy field verification

NOTES

1. Isolators have a min. operating Kx/Ky ratio of 1.0
2. Springs have 50% additional travel to solid beyond rated load.
3. Isolators should be selected in the range of -30% to +25% of rated load.
4. Consult spring chart for isolator performance data.

Notes / Remarks :

Project :
Client :
Consultant :
Representative :

Title :

BR
Free-standing Spring Mount
Rubber Base Plate Construction
(0.75" deflection)

Drawing no.

S-2035.31

Rev. 1