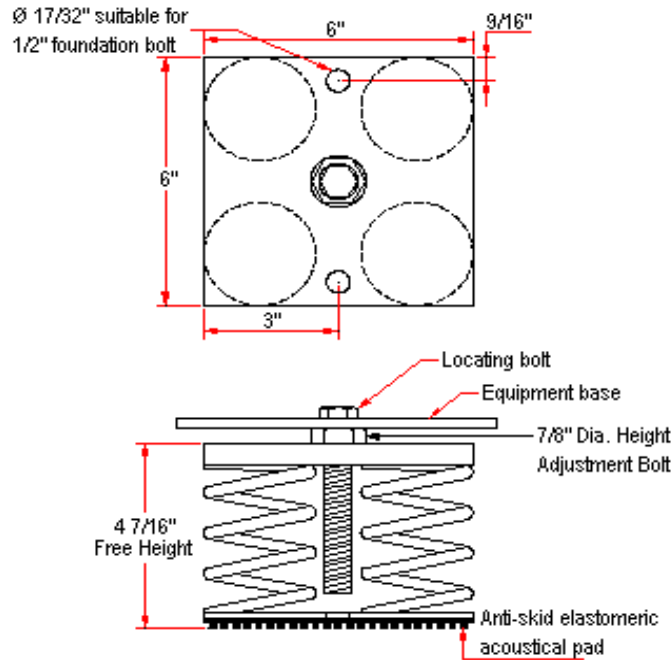
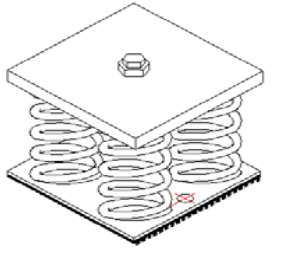


VIBRATION MANAGEMENT CORPORATION

5930 THOMAS ROAD , HOUSTON , TEXAS 77041 , U.S.A

INTERNET ADDRESS: www.vimco.biz



N.T.S.

ISOLATOR MODEL	RATED LOAD (lbs)	SOLID LOAD (lbs)
OSM-4-150	332	500
OSM-4-151	600	900
OSM-4-152	864	1300
OSM-4-153	1200	1800
OSM-4-154	1600	2400
OSM-4-155	2000	3000
OSM-4-156	2400	3600
OSM-4-157	2932	4400
OSM-4-158	4800	7200
OSM-4-159	6664	10000
OSM-4-150-161	1924	2888
OSM-4-151-161	2128	3196
OSM-4-152-161	2388	3584
OSM-4-153-161	2664	4000
OSM-4-154-161	3000	4500
OSM-4-155-161	3484	5228
OSM-4-156-161	4064	6100
OSM-4-157-161	4432	6652
OSM-4-158-161	6464	9700
OSM-4-159-161	8332	12500

NOTES

1. Isolators have a min. operating Kx/Ky ratio of 1.0
2. Springs have 50% additional travel to solid beyond rated load.
3. Isolators should be selected in the range of -30% to +25% of rated load.
4. Consult spring chart for isolator performance data.

FEATURES

- * Large diameter laterally stable springs
- * Welded construction
- * Anti-skid elastomeric acoustical pad
- * Built-in leveling device
- * Mounting holes furnished as standard
- * Galvanized finish
- * Spring elements color-coded for easy field verification

Notes / Remarks :

Project :
Client :
Consultant :
Representative :

Title :

OSM-4
Free-standing Spring Mount
Welded Construction
(1" deflection)

Drawing no.

S-2050.03

Rev. 2