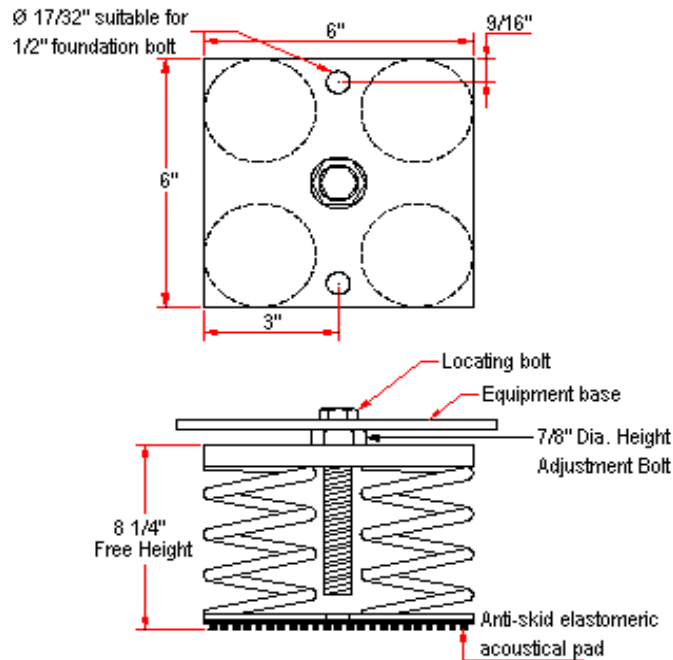
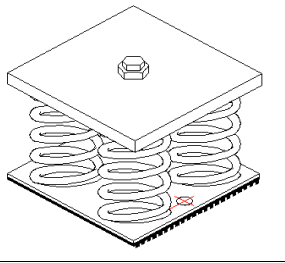


# VIBRATION MANAGEMENT CORPORATION

3532-A EAST TC JESTER , BROOKWOOD BUSINESS PARK , HOUSTON , TEXAS 77018 , U.S.A

INTERNET ADDRESS: [www.vimco.biz](http://www.vimco.biz)



N.T.S.

## NOTES

1. Isolators have a min. operating  $K_x/K_y$  ratio of 1.0
2. Springs have 50% additional travel to solid beyond rated load.
3. Isolators should be selected in the range of -30% to +25% of rated load.
4. Consult spring chart for isolator performance data.

| ISOLATOR MODEL | RATED LOAD (lbs) | SOLID LOAD (lbs) |
|----------------|------------------|------------------|
| OSM-4-181      | 344              | 520              |
| OSM-4-182      | 532              | 800              |
| OSM-4-183      | 720              | 1080             |
| OSM-4-184      | 1064             | 1600             |
| OSM-4-185      | 1944             | 2920             |
| OSM-4-186      | 2852             | 4280             |
| OSM-4-187      | 3704             | 5560             |
| OSM-4-181-199  | 2372             | 3560             |
| OSM-4-182-199  | 2532             | 3800             |
| OSM-4-183-199  | 2732             | 4100             |
| OSM-4-184-199  | 3132             | 4700             |
| OSM-4-185-199  | 3732             | 5600             |
| OSM-4-186-199  | 4932             | 7400             |
| OSM-4-187-199  | 5840             | 8760             |

## FEATURES

- \* Welded construction
- \* Anti-skid elastomeric acoustical pad
- \* Built-in leveling device
- \* Mounting holes furnished as standard
- \* Galvanized finish
- \* High deflection, low natural frequency
- \* Spring elements color-coded for easy field verification

Notes / Remarks :

Project :  
Client :  
Consultant :  
Representative :

Title :

**OSM-4**  
Free-standing Spring Mount  
Welded Construction  
(3" deflection)

Drawing no.

**S-2050.23**

Rev. 1