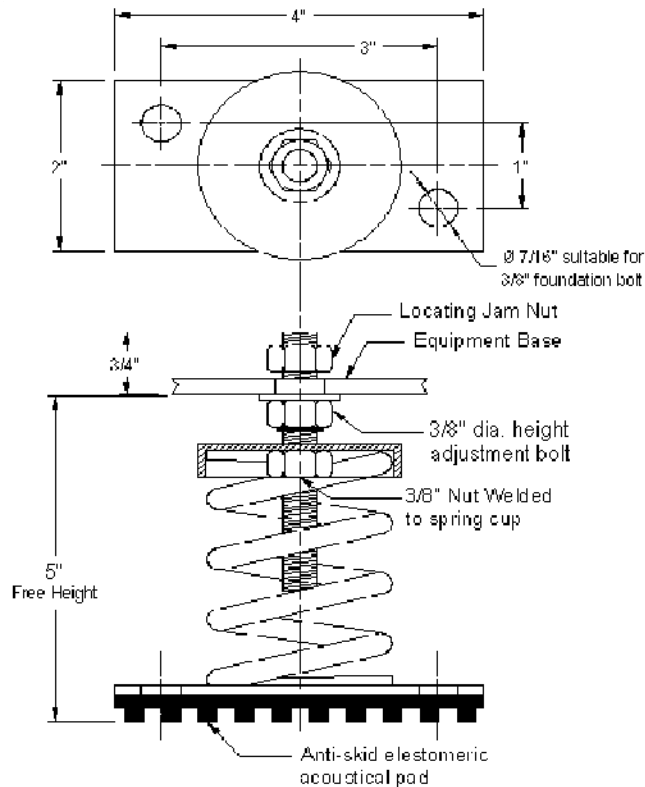
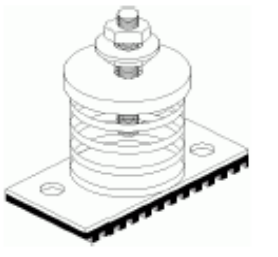


# VIBRATION MANAGEMENT CORPORATION

5930 THOMAS ROAD , HOUSTON , TEXAS 77041 , U.S.A

INTERNET ADDRESS: [www.vimco.biz](http://www.vimco.biz)



N.T.S

ISOLATOR MODEL	RATED LOAD (lbs)	SOLID LOAD (lbs)
OSM-1A-081	32	48
OSM-1A-082	50	76
OSM-1A-083	89	134
OSM-1A-084	158	237
OSM-1A-085	280	420
OSM-1A-086	360	540
OSM-1A-087	485	728

## FEATURES

- \* Large diameter laterally stable springs
- \* Welded construction
- \* Anti-skid elastomeric acoustical pad
- \* Built-in leveling device
- \* Mounting holes furnished as standard
- \* Galvanized finish
- \* High deflection, low natural frequency
- \* Spring elements color-coded for easy field verification

## NOTES

1. Springs have 50% additional travel to solid beyond rated load.
2. Isolators should be selected in the range of -30% to +25% of rated load.
3. Consult spring chart for isolator performance data.

Notes / Remarks :

Project :  
Client :  
Consultant :  
Representative :

Title :

**OSM-1A**  
Free-standing Spring Mount  
Welded Construction  
(2" deflection)

Drawing no.

**S-2055.12**

Rev. 0