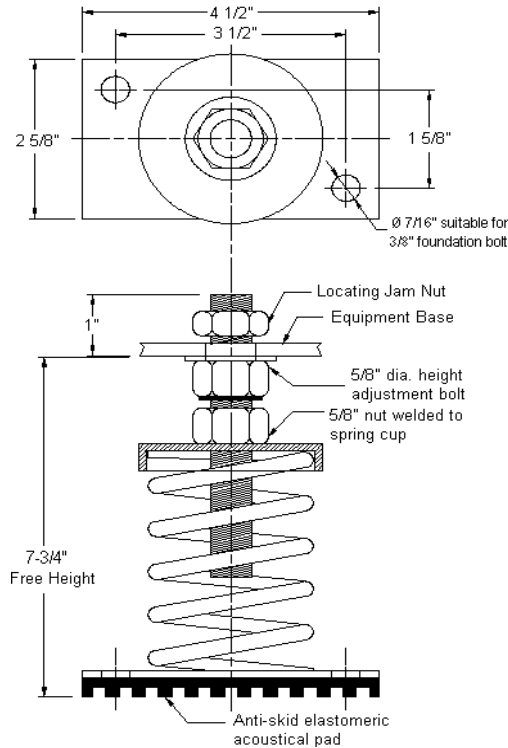
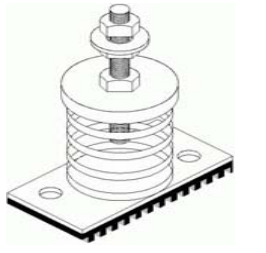


# VIBRATION MANAGEMENT CORPORATION

5930 THOMAS ROAD , HOUSTON , TEXAS 77041 , U.S.A

INTERNET ADDRESS: [www.vimco.biz](http://www.vimco.biz)



N.T.S

## NOTES

1. Springs have 50% additional travel to solid beyond rated load.
2. Isolators should be selected in the range of -30% to +25% of rated load.
3. Consult spring chart for isolator performance data.

ISOLATOR MODEL	RATED LOAD (lbs)	SOLID LOAD (lbs)
OSM-1B-201	60	90
OSM-1B-202	100	150
OSM-1B-203	150	225
OSM-1B-204	250	375
OSM-1B-205	400	600
OSM-1B-206	700	1050
OSM-1B-207	926	1390
OSM-1B-201-219	593	890
OSM-1B-202-219	633	950
OSM-1B-203-219	683	1025
OSM-1B-204-219	783	1175
OSM-1B-205-219	933	1400
OSM-1B-206-219	1233	1850
OSM-1B-207-219	1460	2190

## FEATURES

- \* Large diameter laterally stable springs
- \* Welded construction
- \* Anti-skid elastomeric acoustical pad
- \* Built-in leveling device
- \* Mounting holes furnished as standard
- \* Galvanized finish
- \* High deflection, low natural frequency
- \* Spring elements color-coded for easy field verification

Notes / Remarks :

Project :  
Client :  
Consultant :  
Representative :

Title :

**OSM-1B**  
Free-standing Spring Mount  
Welded Construction  
(2" deflection)

Drawing no.

**S-2055.13**

Rev. 0