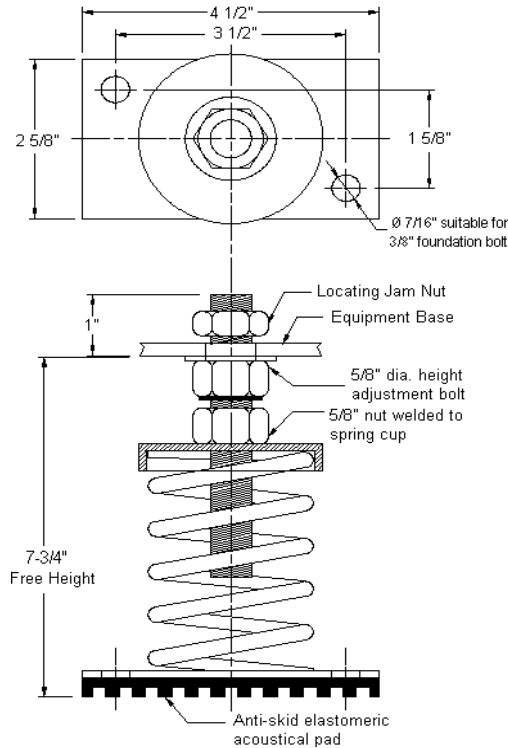
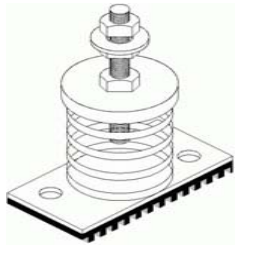


VIBRATION MANAGEMENT CORPORATION

5930 THOMAS ROAD , HOUSTON , TEXAS 77041 , U.S.A

INTERNET ADDRESS: www.vimco.biz



N.T.S

NOTES

1. Springs have 50% additional travel to solid beyond rated load.
2. Isolators should be selected in the range of -30% to +25% of rated load.
3. Consult spring chart for isolator performance data.

ISOLATOR MODEL	RATED LOAD (lbs)	SOLID LOAD (lbs)
OSM-1B-181	86	130
OSM-1B-182	133	200
OSM-1B-183	180	270
OSM-1B-184	266	400
OSM-1B-185	486	730
OSM-1B-186	713	1070
OSM-1B-187	926	1390
OSM-1B-181-199	593	890
OSM-1B-182-199	633	950
OSM-1B-183-199	683	1025
OSM-1B-184-199	783	1175
OSM-1B-185-199	933	1400
OSM-1B-186-199	1233	1850
OSM-1B-187-199	1460	2190

FEATURES

- * Large diameter laterally stable springs
- * Welded construction
- * Anti-skid elastomeric acoustical pad
- * Built-in leveling device
- * Mounting holes furnished as standard
- * Galvanized finish
- * High deflection, low natural frequency
- * Spring elements color-coded for easy field verification

Notes / Remarks :

Project :
Client :
Consultant :
Representative :

Title :

OSM-1B
Free-standing Spring Mount
Welded Construction
(3" deflection)

Drawing no.

S-2055.21

Rev. 0