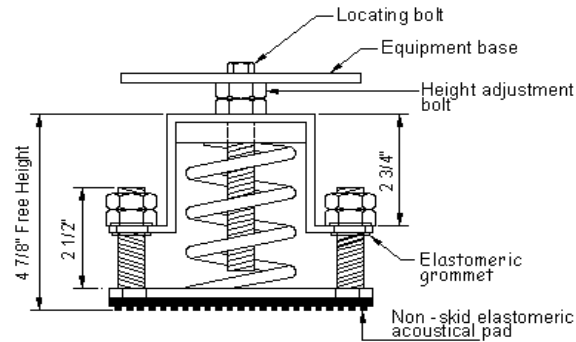
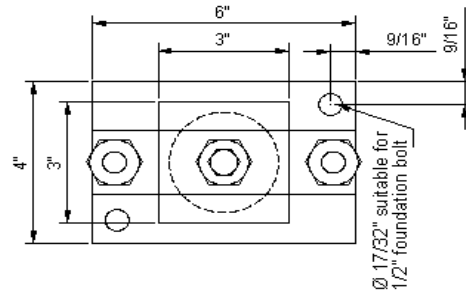
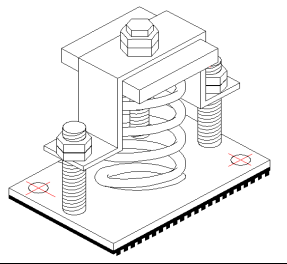


VIBRATION MANAGEMENT CORPORATION

3532-A EAST TC JESTER , BROOKWOOD BUSINESS PARK , HOUSTON , TEXAS 77018 , U.S.A

INTERNET ADDRESS: www.vimco.biz



N.T.S.

ISOLATOR MODEL	RATED LOAD (lbs)	SOLID LOAD (lbs)
RSM-1-150	83	125
RSM-1-151	150	225
RSM-1-152	216	325
RSM-1-153	300	450
RSM-1-154	400	600
RSM-1-155	500	750
RSM-1-156	600	900
RSM-1-157	733	1100
RSM-1-158	1200	1800
RSM-1-159	1666	2500
RSM-1-150-161	481	722
RSM-1-151-161	532	799
RSM-1-152-161	597	896
RSM-1-153-161	666	1000
RSM-1-154-161	750	1125
RSM-1-155-161	871	1307
RSM-1-156-161	1016	1525
RSM-1-157-161	1108	1663
RSM-1-158-161	1616	2425
RSM-1-159-161	2083	3125

NOTES

1. Isolators have a min. operating K_x/K_y ratio of 1.0
2. Springs have 50% additional travel to solid beyond rated load.
3. Isolators should be selected in the range of -30% to +25% of rated load.
4. Adjust RESTRICTO™ assembly vertical limiting nuts as per clearance levels specified by project engineer. (standard: 1/4" maximum: 1/2")
5. Consult spring chart for isolator performance data.

FEATURES

- * RESTRICTO™ assembly limits vertical movement due to reduced loads or external forces (wind loads)
- * Large diameter laterally stable springs
- * Welded construction
- * Anti-skid elastomeric acoustical pad
- * Built-in leveling device
- * Mounting holes furnished as standard
- * Elastomeric 'non-shortcircuiting' grommets
- * Hot dip galvanized finish
- * Spring elements color-coded for easy field verification

<u>Notes / Remarks :</u>	Project :	Title : RSM-1 Restrained Spring Mount (1" deflection)	<u>Drawing no.</u> S-2075.01
	Client :		
	Consultant :		
	Representative :		
			Rev. 2