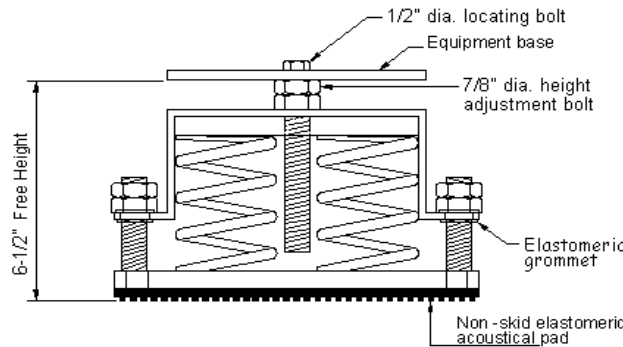
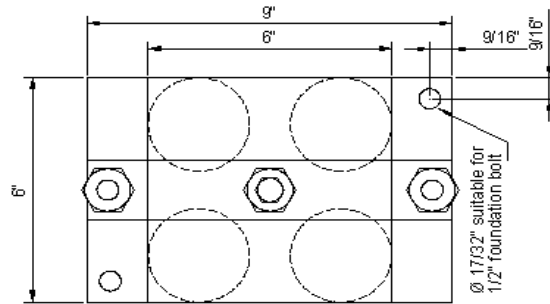
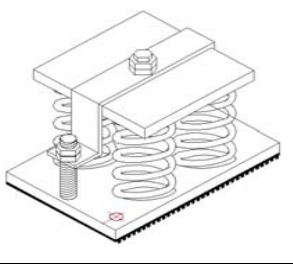


# VIBRATION MANAGEMENT CORPORATION

5930 THOMAS ROAD , HOUSTON , TEXAS 77041 , U.S.A

INTERNET ADDRESS: [www.vimco.biz](http://www.vimco.biz)



N.T.S.

ISOLATOR MODEL	RATED LOAD (lbs)	SOLID LOAD (lbs)
RSM-4-150	332	500
RSM-4-151	600	900
RSM-4-152	864	1300
RSM-4-153	1200	1800
RSM-4-154	1600	2400
RSM-4-155	2000	3000
RSM-4-156	2400	3600
RSM-4-157	2932	4400
RSM-4-158	4800	7200
RSM-4-159	6664	10000
RSM-4-150-161	1924	2888
RSM-4-151-161	2128	3196
RSM-4-152-161	2388	3584
RSM-4-153-161	2664	4000
RSM-4-154-161	3000	4500
RSM-4-155-161	3484	5228
RSM-4-156-161	4064	6100
RSM-4-157-161	4432	6652
RSM-4-158-161	6464	9700
RSM-4-159-161	8332	12500

## NOTES

1. Isolators have a min. operating  $K_x/K_y$  ratio of 1.0
2. Springs have 50% additional travel to solid beyond rated load.
3. Isolators should be selected in the range of -30% to +25% of rated load.
4. Adjust RESTRICTO™ assembly vertical limiting nuts as per clearance levels specified by project engineer. (standard: 1/4" maximum: 1/2")
5. Consult spring chart for isolator performance data.

## FEATURES

- \* RESTRICTO™ assembly limits vertical movement due to reduced loads or external forces (wind loads)
- \* Large diameter laterally stable springs
- \* Welded construction
- \* Anti-skid elastomeric acoustical pad
- \* Built-in leveling device
- \* Mounting holes furnished as standard
- \* Elastomeric 'non-shortcircuiting' grommets
- \* Galvanized finish
- \* Spring elements color-coded for easy field verification

<u>Notes / Remarks :</u>	Project :	Title : <b>RSM-4</b> Restrained Spring Mount (1" deflection)	<u>Drawing no.</u> <b>S-2075.03</b>
	Client :		
	Consultant :		
	Representative :		
			Rev. 4