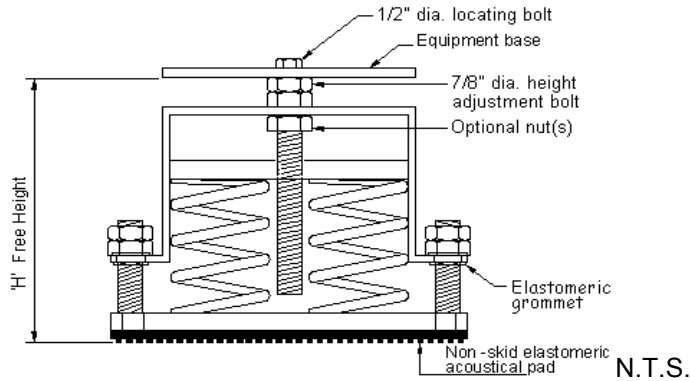
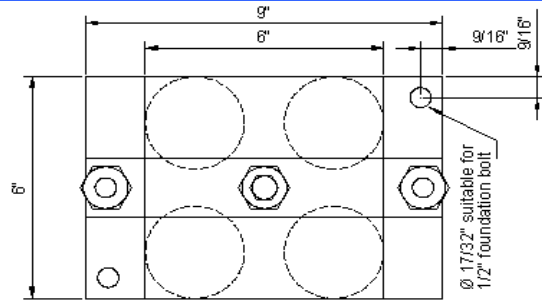
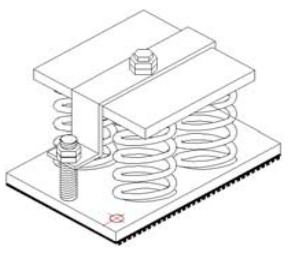


# VIBRATION MANAGEMENT CORPORATION

5930 THOMAS ROAD , HOUSTON , TEXAS 77041 , U.S.A

INTERNET ADDRESS: [www.vimco.biz](http://www.vimco.biz)



**NOTES**

1. Isolators have a min. operating  $K_x/K_y$  ratio of 1.0
2. Springs have 50% additional travel to solid beyond rated load.
3. Isolators should be selected in the range of -30% to +25% of rated load.
4. Adjust RESTRICTO™ assembly vertical limiting nuts as per clearance levels specified by project engineer. (standard: 1/4" maximum: 1/2")
5. Consult spring chart for isolator performance data.

**FEATURES**

- \* RESTRICTO™ assembly limits vertical movement due to reduced loads or external forces (wind loads)
- \* Welded construction. Galvanized finish. Built-in leveling device
- \* Anti-skid elastomeric acoustical pad
- \* Mounting holes furnished as standard
- \* Elastomeric 'non-shortcircuiting' grommets
- \* High deflection, low natural frequency
- \* Spring elements color-coded for easy field verification

ISOLATOR MODEL	RATED LOAD (lbs)	SOLID LOAD (lbs)	H (inches)
RSM-4-081	128	192	7 7/8
RSM-4-082	200	304	
RSM-4-083	356	536	
RSM-4-084	632	948	
RSM-4-085	1120	1680	
RSM-4-086	1440	2160	
RSM-4-087	1940	2912	
RSM-4-140	264	400	
RSM-4-141	532	800	
RSM-4-142	1000	1500	
RSM-4-143	1332	2000	
RSM-4-144	1904	2856	
RSM-4-147	3812	5720	
RSM-4-148A	5044	7568	
RSM-4-140-146B	1840	2760	
RSM-4-141-146B	2072	3112	
RSM-4-142-146B	2600	3904	
RSM-4-143-146B	2932	4400	
RSM-4-144-146B	3504	5256	
RSM-4-147-146B	5412	8120	
RSM-4-148A-146B	6644	9968	
RSM-4-201	240	360	8 7/8
RSM-4-202	400	600	
RSM-4-203	600	900	
RSM-4-204	1000	1500	
RSM-4-205	1600	2400	
RSM-4-206	2800	4200	
RSM-4-207	3704	5560	
RSM-4-201-219	2372	3560	
RSM-4-202-219	2532	3800	
RSM-4-203-219	2732	4100	
RSM-4-204-219	3132	4700	
RSM-4-205-219	3732	5600	
RSM-4-206-219	4932	7400	
RSM-4-207-219	5840	8760	

<u>Notes / Remarks :</u>	Project :	Title :	<b>RSM-4</b>
	Client :	<b>Restrained Spring Mount</b>	
	Consultant :	<b>(2" deflection)</b>	
	Representative :	<b>Rev. 4</b>	
		<b>Drawing no. S-2075.13</b>	