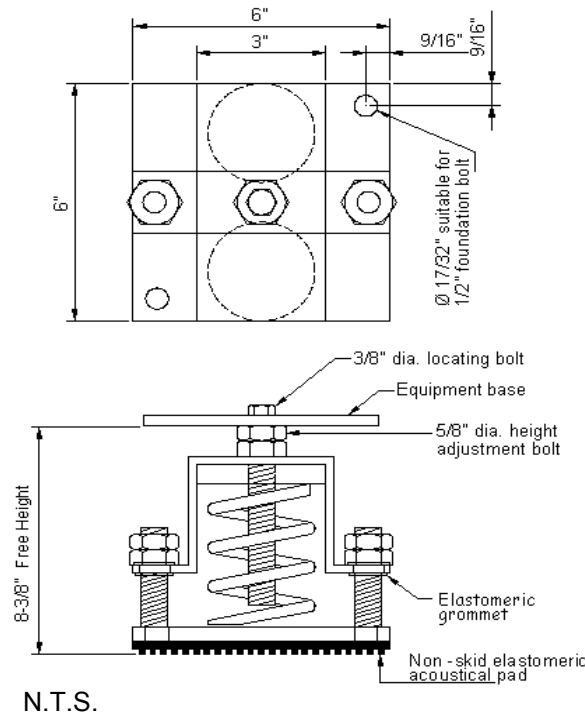
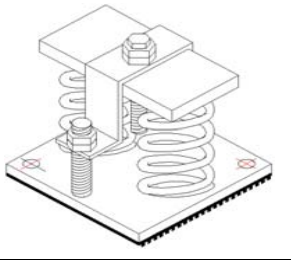


VIBRATION MANAGEMENT CORPORATION

5930 THOMAS ROAD , HOUSTON , TEXAS 77041 , U.S.A

INTERNET ADDRESS: www.vimco.biz



NOTES

1. Isolators have a min. operating Kx/Ky ratio of 1.0
2. Springs have 50% additional travel to solid beyond rated load.
3. Isolators should be selected in the range of -30% to +25% of rated load.
4. Adjust RESTRICTO™ assembly vertical limiting nuts as per clearance levels specified by project engineer. (standard: 1/4" maximum: 1/2")
5. Consult spring chart for isolator performance data.

ISOLATOR MODEL	RATED LOAD (lbs)	SOLID LOAD (lbs)
RSM-2-181	172	260
RSM-2-182	266	400
RSM-2-183	360	540
RSM-2-184	532	800
RSM-2-185	972	1460
RSM-2-186	1426	2140
RSM-2-187	1852	2780
RSM-2-181-199	1186	1780
RSM-2-182-199	1266	1900
RSM-2-183-199	1366	2050
RSM-2-184-199	1566	2350
RSM-2-185-199	1866	2800
RSM-2-186-199	2466	3700
RSM-2-187-199	2920	4380

FEATURES

- * RESTRICTO™ assembly limits vertical movement due to reduced loads or external forces (wind loads)
- * Welded construction
- * Anti-skid elastomeric acoustical pad
- * Built-in leveling device
- * Mounting holes furnished as standard
- * Galvanized finish
- * Elastomeric 'non-shortcircuiting' grommets
- * High deflection, low natural frequency
- * Spring elements color-coded for easy field verification

Notes / Remarks :

Project :
Client :
Consultant :
Representative :

Title :

RSM-2
Restrained Spring Mount
(3" deflection)

Drawing no.
S-2075.22

Rev. 2