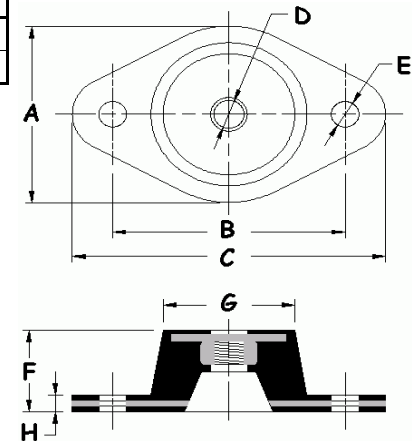


VIBRATION MANAGEMENT CORPORATION

3532-A EAST TC JESTER , BROOKWOOD BUSINESS PARK , HOUSTON , TEXAS 77018 , U.S.A

INTERNET ADDRESS: www.vimco.biz

| ISOLATOR MODEL | MAX. LOAD (lbs) | DEFLECTION (inches) | ISOLATOR DIMENSIONS (inches) | | | | | | | | COLOR |
|----------------|-----------------|---------------------|------------------------------|---|-------|-----|-------|-------|-------|------|-------|
| | | | A | B | C | D | E | F | G | H | |
| FM-A-1 | 250 | 1/4 | 2 3/8 | 3 | 3 7/8 | 3/8 | 11/32 | 1 1/8 | 1 5/8 | 7/32 | BLACK |
| FM-A-2 | 450 | 1/4 | 2 3/8 | 3 | 3 7/8 | 3/8 | 11/32 | 1 1/8 | 1 5/8 | 7/32 | GREEN |



N.T.S.

NOTES

1. Do not exceed maximum load by more than 5%

FEATURES

- * Anti-skid top and bottom surfaces.
- * Mounting holes furnished as standard
- * Embedded steel plates for uniform loading.
- * Oil + water resistant
- * High deflection, low natural frequency
- * Elements color-coded for easy field verification (*Color coding can be by 'dot' or 'complete element'*)

Notes / Remarks :

Project :
Client :
Consultant :
Representative :

Title :

FMD
Rubber-In-Shear Mount
(Double deflection)

Drawing no.
S-2225.06

Rev. 1