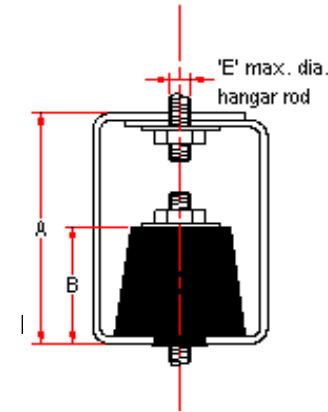
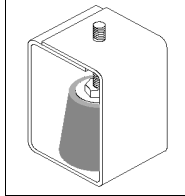
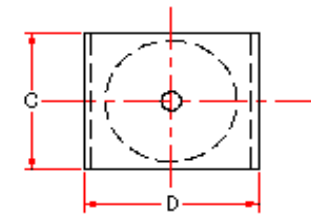


VIBRATION MANAGEMENT CORPORATION

3532-A EAST TC JESTER , BROOKWOOD BUSINESS PARK , HOUSTON , TEXAS 77018 , U.S.A

INTERNET ADDRESS: www.vimco.biz

ISOLATOR MODEL	MAX. LOAD (lbs)	DEFLECTION (inches)	ISOLATOR DIMENSIONS (inches)					COLOR
			A	B	C	D	E	
HND-A-1	30	2/5	3	1 3/8	2	2 1/4	3/8	BLUE
HND-A-2	40	2/5	3	1 3/8	2	2 1/4	3/8	RED
HND-A-3	70	2/5	3	1 3/8	2	2 1/4	3/8	GREEN
HND-A-4	115	2/5	3	1 3/8	2	2 1/4	3/8	BLACK
HND-B-1	165	1/2	4 1/2	1 7/8	2 1/4	3	1/2	BLUE
HND-B-2	235	1/2	4 1/2	1 7/8	2 1/4	3	1/2	RED
HND-B-3	375	1/2	4 1/2	1 7/8	2 1/4	3	1/2	GREEN
HND-B-4	545	1/2	4 1/2	1 7/8	2 1/4	3	1/2	BLACK
HND-C-3	745	1/2	6	3 1/8	3 1/2	4	1/2	GREEN
HND-C-4	1245	1/2	6	3 1/8	3 1/2	4	1/2	BLACK
HND-D-2	2240	1/2	6	3 1/8	4	4 1/2	5/8	RED
HND-D-3	3000	1/2	6	3 1/8	4	4 1/2	5/8	GREEN
HND-D-4	4000	1/2	6	3 1/8	4	4 1/2	5/8	BLACK



NOTES

1. Nuts, washer & rods by others.
2. Do not exceed maximum load by more than 5%

FEATURES

- * Element incorporates projected collar to prevent metal to metal contact between rod and bracket.
- * Embedded steel plates for uniform loading.
- * Oil + water resistant element
- * High deflection, low natural frequency
- * Elements color-coded for easy field verification (*Color coding can be by 'dot' or 'complete element'*)

Notes / Remarks :

Project :
Client :
Consultant :
Representative :

Title :

HND
Rubber-In-Shear Hanger
(Double deflection)

Drawing no.
S-2300.01

Rev. 0