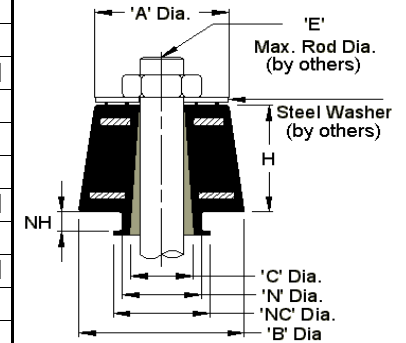


# VIBRATION MANAGEMENT CORPORATION

5930 THOMAS ROAD , HOUSTON , TEXAS 77041 , U.S.A

INTERNET ADDRESS: [www.vimco.biz](http://www.vimco.biz)

ISOLATOR MODEL	MAX. LOAD (lbs)	DEFLECTION (inches)	ISOLATOR DIMENSIONS (inches)								COLOR
			A	B	C	E	H	NH	N	NC	
HNDE-A-1	30	2/5	1 1/4	1 3/4	7/8	1/2	1 1/4	1/4	1 1/8	1 5/16	BLUE
HNDE-A-2	40	2/5									RED
HNDE-A-3	70	2/5									GREEN
HNDE-A-4	115	2/5									BLACK
HNDE-B-1	165	1/2	1 7/8	2 1/4	7/8	5/8	1 11/16	1/4	1 1/8	1 5/16	BLUE
HNDE-B-2	235	1/2									RED
HNDE-B-3	375	1/2									GREEN
HNDE-B-4	545	1/2									BLACK
HNDE-C-3	745	1/2	2 1/2	3 1/2	7/8	5/8	3 1/8	1/4	1 1/8	1 5/16	GREEN
HNDE-C-4	1245	1/2									BLACK
HNDE-D-2	2240	1/2	3 1/2	4	7/8	3/4	3 1/8	1/4	1 1/8	1 5/16	RED
HNDE-D-3	3000	1/2									GREEN
HNDE-D-4	4000	1/2									BLACK



### NOTES

1. Nuts, washer & rods by others.
2. Do not exceed maximum load by more than 5%

### FEATURES

- \* Element incorporates projected collar to prevent metal to metal contact between rod and bracket.
- \* Embedded steel plates for uniform loading.
- \* Oil + water resistant element
- \* High deflection, low natural frequency
- \* Elements color-coded for easy field verification (*Color coding can be by 'dot' or 'complete element'*)

Notes / Remarks :

Project :  
Client :  
Consultant :  
Representative :

Title : **HNDE**  
Rubber-In-Shear Hanger Element  
(Double deflection)

Drawing no. **S-2300.02**  
  
Rev. 1