

VIBRATION MANAGEMENT CORPORATION

3532-A EAST TC JESTER , BROOKWOOD BUSINESS PARK , HOUSTON , TEXAS 77018 , U.S.A

INTERNET ADDRESS: www.vimco.biz

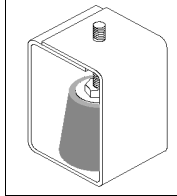
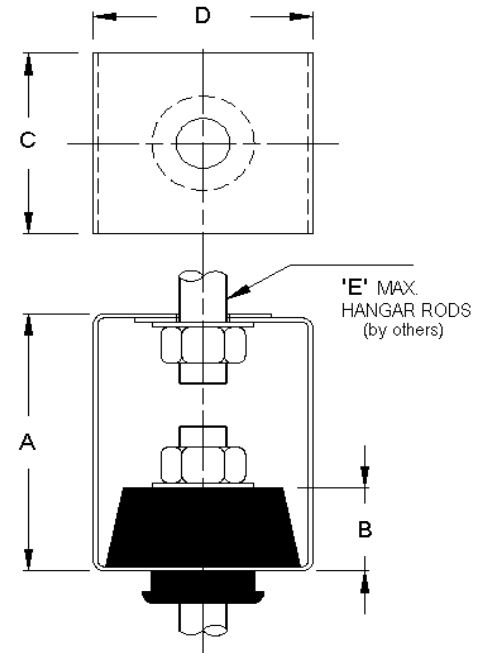
ISOLATOR MODEL	MAX. LOAD (lbs)	DEFLECTION (inches)	ISOLATOR DIMENSIONS (inches)					COLOR
			A	B	C	D	E	
HN-A-1	250	1/4	2 3/4	15/16	2	2 1/4	1/2	BLACK
HN-A-2	450	1/4	2 3/4	15/16	2	2 1/4	1/2	GREEN

NOTES

1. Nuts, washer & rods by others.
2. Do not exceed maximum load by more than 5%
3. To order element only specify model **HNE** instead **HN**

FEATURES

- * Element incorporates projected collar to prevent metal to metal contact between rod and brack
- * Embedded steel plate for uniform loading.
- * Oil + water resistant element
- * Elements color-coded for easy field verification (*Color coding can be by 'dot' or 'complete element'*)



Notes / Remarks :

Project :	
Client :	
Consultant :	
Representative :	

Title : **HN**
Rubber-In-Shear Hanger
(Single deflection)

Drawing no.
S-2300.06

Rev. 0