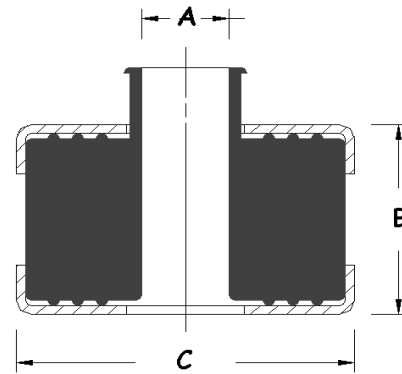


# VIBRATION MANAGEMENT CORPORATION

3532-A EAST TC JESTER , BROOKWOOD BUSINESS PARK , HOUSTON , TEXAS 77018 , U.S.A

INTERNET ADDRESS: [www.vimco.biz](http://www.vimco.biz)

ISOLATOR MODEL	MAX. LOAD (lbs)	ISOLATOR DIMENSIONS (inches)		
		A	B	C
AVHM-50	110	0.43	0.73	1.28
AVHM-100	220	0.43	1.02	1.67



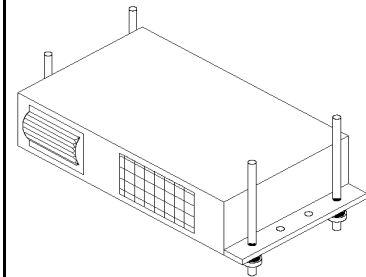
**NOTES**

1. Nuts, washer & rods by others.
2. Order by part no.:

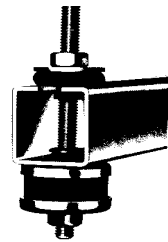
**AVHM-xxx** = complete mount  
**AVHME-xxx** = element only  
**AVHMTc-xxx** = top cup only  
**AVHMBc-xxx** = bottom cup only

**APPLICATIONS:**

*Direct on unit*



*On channel / strut*



CONSTRUCTION:	Elastomer (neoprene+rubber) element between 2 load distribution plates.
SPECIAL FEATURE:	Elastomer (neoprene+rubber) collar to prevent rod short circuiting.
SOUND LEVEL REDUCTION:	Up to 17 dB (A)
RECOMMENDED USE:	Can be used with threaded rods up to 3/8" (M10) for suspension of pipes, fans, fan coil units etc. AVHME-xxx (element only) can be used for small floor mounted machines like refrigerator, dishwasher etc.

Notes / Remarks :

Project :	
Client :	
Consultant :	
Representative :	

Title : **AVHM**  
 Anti-Vibration Hanger Mounts

Drawing no.  
**S-2300.11**

Rev. 2