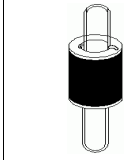
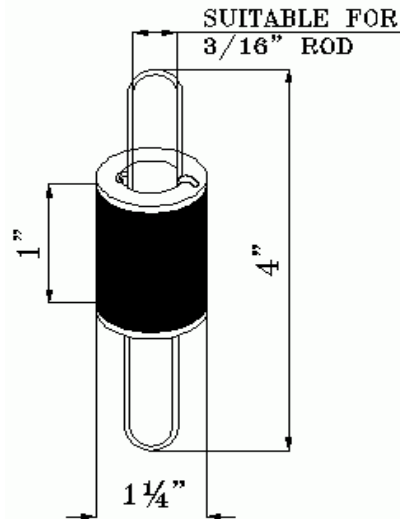


VIBRATION MANAGEMENT CORPORATION

3532-A EAST TC JESTER , BROOKWOOD BUSINESS PARK , HOUSTON , TEXAS 77018 , U.S.A

INTERNET ADDRESS: www.vimco.biz

ISOLATOR MODEL	MAX. LOAD (lbs)	DEFLECTION (inches)	COLOR
HNW-1	65	1/5	RED
HNW-2	120	1/5	BLACK
HNW-3	200	1/5	BLUE



NOTES

1. Nuts, washer & rods by others.
2. Do not exceed maximum load by more than 5%

FEATURES

- * Element incorporates projected collar to prevent metal to metal contact between rod and bracket.
- * Embedded steel plates for uniform loading.
- * Oil + water resistant element
- * High deflection, low natural frequency
- * Elements color-coded for easy field verification (*Color coding can be by 'dot' or 'complete element'*)

Notes / Remarks :

Project :
Client :
Consultant :
Representative :

Title :

HNW
Rubber-In-Shear Hanger Element
(Double deflection)

Drawing no.
S-2300.21

Rev. **0**