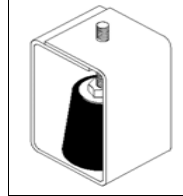
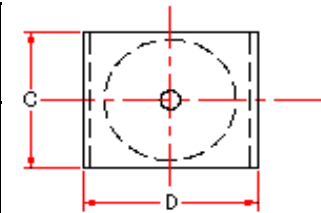


# VIBRATION MANAGEMENT CORPORATION

5930 THOMAS ROAD , HOUSTON , TEXAS 77041 , U.S.A

INTERNET ADDRESS: [www.vimco.biz](http://www.vimco.biz)

ISOLATOR MODEL	MAX. LOAD (lbs)	DEFLECTION (inches)	ISOLATOR DIMENSIONS (inches)					COLOR	OPERATING LOAD RANGE (lbs)	
			A	B	C	D	E			
APH-A-1	95	2/5	2.41	1.29	1.65	1.77	3/8	GREEN	0	to 85
APH-A-2	120	2/5	2.41	1.29	1.65	1.77	3/8	BLACK	86	to 108
APH-B-1	175	2/5	2.82	1.57	1.77	1.77	1/2	GREEN	109	to 157
APH-B-2	320	2/5	2.82	1.57	1.77	1.77	1/2	BLACK	158	to 288

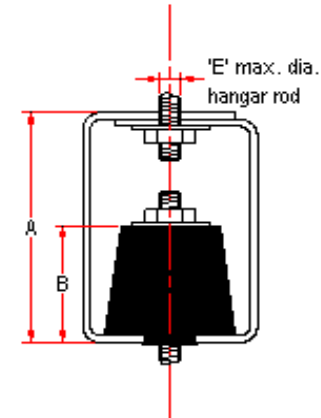


### NOTES

1. Nuts, washer & rods by others.
2. Select isolator within operating load range.
3. To order element only specify model **APHE** instead of **APH**

### FEATURES

- \* Element incorporates projected collar to prevent metal to metal contact between rod and bracket.
- \* Embedded steel plates on top of element for uniform loading.
- \* Oil + water resistant element
- \* High deflection, low natural frequency
- \* Elements color-coded for easy field verification (*Color coding can be by 'dot/stripe' or 'complete element'*)



N.T.S

Notes / Remarks :

Project :  
Client :  
Consultant :  
Representative :

Title :

**APH**  
All-Purpose Hanger  
(Double deflection)

Drawing no.  
**S-2300.31**

Rev. 3