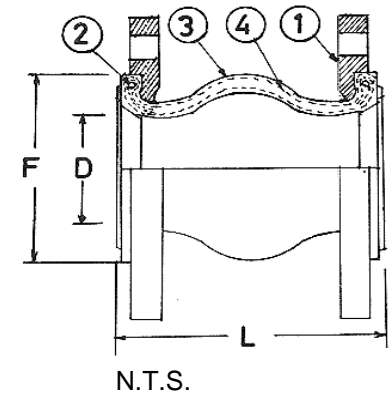


VIBRATION MANAGEMENT CORPORATION

3532-A EAST TC JESTER , BROOKWOOD BUSINESS PARK , HOUSTON , TEXAS 77018 , U.S.A

INTERNET ADDRESS: www.vimco.biz

MODEL	SIZE (inches)	LENGTH (L) (inches)	(D) (inches)	(F) (inches)	AXIAL COMPRESSION (inches)	AXIAL ELONGATION (inches)	TRANSVERSE DEFLECTION (inches)	ANGULAR DEFLECTION (deg)	OPERATING PRESSURE (psig)	BURST PRESSURE (psig)	VACCUM RATING (inches Hg)	TEMP. RANGE (°F)
FCS-12	1 1/4	6	1.58	2.72	1/2	3/8	1/2	15°	215	700	29	14 - 240
FCS-15	1 1/2	6	1.58	2.72	1/2	3/8	1/2	15°	215	850	29	14 - 240
FCS-20	2	6	2.05	3.39	1/2	3/8	1/2	15°	215	850	29	14 - 240
FCS-25	2 1/2	6	2.68	4.18	1/2	3/8	1/2	15°	215	850	29	14 - 240
FCS-30	3	6	3.00	4.57	1/2	3/8	1/2	15°	215	850	29	14 - 240
FCS-40	4	6	4.06	5.91	5/8	3/8	1/2	15°	215	850	29	14 - 240
FCS-50	5	6	5.04	7.09	5/8	3/8	1/2	15°	215	850	29	14 - 240
FCS-60	6	6	5.99	8.23	5/8	3/8	1/2	15°	215	850	29	14 - 240
FCS-80	8	6	7.64	10.24	5/8	3/8	1/2	15°	215	850	29	14 - 240
FCS-100	10	8	9.85	12.60	3/4	1/2	3/4	15°	215	850	29	14 - 240
FCS-120	12	8	11.82	14.45	3/4	1/2	3/4	15°	215	850	29	14 - 240
FCS-140	14	8	12.60	16.07	3/4	1/2	3/4	15°	115	340	29	14 - 240
FCS-160	16	8	14.65	18.59	3/4	1/2	3/4	15°	115	340	29	14 - 240
FCS-180	18	8	16.34	20.56	3/4	1/2	3/4	15°	115	340	29	14 - 240
FCS-200	20	8	17.88	22.45	3/4	1/2	3/4	15°	115	340	29	14 - 240
FCS-240	24	10	22.45	27.40	3/4	1/2	3/4	15°	115	340	29	14 - 240



NOTES

1. Applicable fluids for standard construction: Water(cold, hot or sea), weak acids, alkalis, compressed air etc.
2. Floating flange drilling standard as per customers requirement. (ANSI, BS, DIN, JIS)
3. Control units can be furnished as option. (recommended for unanchored systems)

MATERIALS (see figure)

No.	Description
1	Flange - galvanised steel (drilling available as per ANSI/BS/DIN/JIS)
2	Wire - carbon steel wire strand
3	Elastomer - synthetic rubber
4	Reinforcing fabric - nylon

FEATURES

- * Reduces noise and vibration transmission.
- * Eliminates stress due to thermal expansion and piping misalignment.
- * Precision molded of synthetic rubber.
- * Nylon fabric re-inforcement
- * Corrosion resistant materials

Notes / Remarks :

Project :
Client :
Consultant :
Representative :

Title :

FCS
Rubber Expansion Joints
Single Bellow
Flange Connection

Drawing no.
S-2500.02

Rev. 0