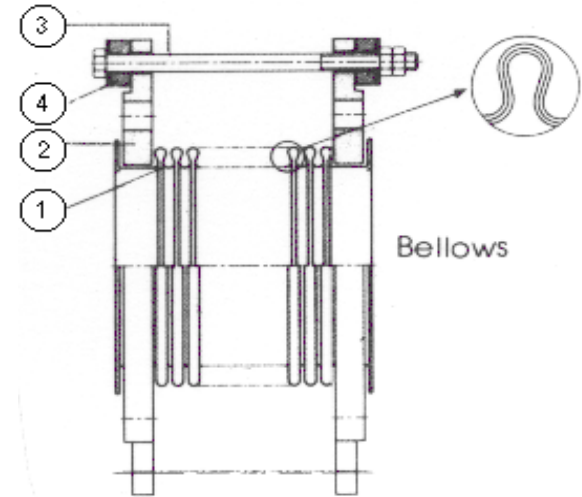


VIBRATION MANAGEMENT CORPORATION

5930 THOMAS ROAD , HOUSTON , TEXAS 77041 , U.S.A

INTERNET ADDRESS: www.vimco.biz

MODEL	NOMINAL BORE (inches)	TOTAL LENGTH (inches)	BELLOW O.D. (inches)	AXIAL MOVEMENT (inches)	MAX. LATERAL OFFSET (inches)	OPERATING PRESSURE (psi)	TEMP. RANGE (°F)
JF-500-20	2	6	2.75	± 0.60	.59	150	-122 to +780
JF-500-25	2 1/2	6	3.40	± 0.60	.55	150	-122 to +780
JF-500-30	3	6	3.99	± 0.60	.47	150	-122 to +780
JF-500-40	4	6	5.03	± 0.60	.39	150	-122 to +780
JF-500-50	5	6	6.16	± 0.60	.31	150	-122 to +780
JF-500-60	6	6	7.22	± 0.60	.23	150	-122 to +780
JF-500-80	8	8	9.21	± 0.60	.31	150	-122 to +780
JF-500-100	10	8	11.37	± 0.60	.23	150	-122 to +780
JF-500-120	12	8	13.42	± 0.60	.19	150	-122 to +780
JF-500-140	14	9	15.43	± 0.60	.19	150	-122 to +780
JF-500-160	16	9	17.86	± 0.60	.19	150	-122 to +780
JF-500-180	18	9	19.84	± 0.60	.19	150	-122 to +780
JF-500-200	20	9	21.81	± 0.60	.19	150	-122 to +780
JF-500-240	24	10	25.79	± 0.60	.19	150	-122 to +780
JF-500-300	30	11	31.89	± 0.60	.19	150	-122 to +780



N.T.S.

NOTES

1. Pressure ratings indicated above are based 68°F ambient temperature. For elevated temperature ratings, consult factory.

APPLICATION

- * Vibration absorption and piping misalignment correction.

FEATURES

- * Reduces noise and vibration transmission.
- * Eliminates stress due to thermal expansion and piping misalignment.
- * Engineered bellow design ensures equal stress distribution through entire length.
- * Corrosion resistant materials
- * Easy field installation
- * Bellows manufactured as per EJMA standards

MATERIALS (see figure)

No.	Part	Description
1	Bellows	SUS304 (SUS316 optional)
2	Flange	AISI 1015 (SUS304 optional)
3	Tie Rods	S25C
4	Gasket	Rubber

Notes / Remarks :

Project :
Client :
Consultant :
Representative :

Title :

JF-500
Stainless Steel Expansion Joints
Flanged Connection

Drawing no.

S-2525.02

Rev. 3