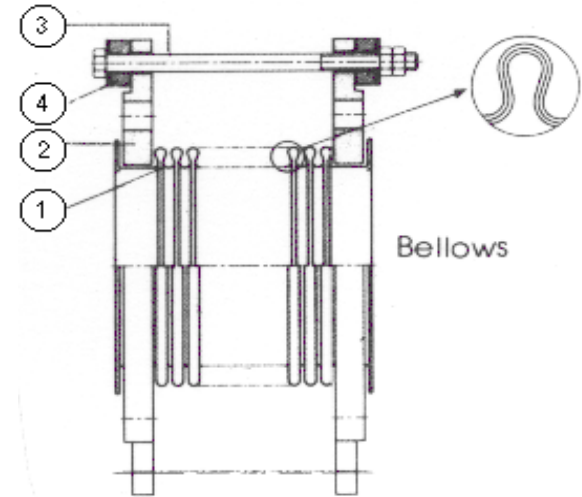


# VIBRATION MANAGEMENT CORPORATION

5930 THOMAS ROAD , HOUSTON , TEXAS 77041 , U.S.A

INTERNET ADDRESS: [www.vimco.biz](http://www.vimco.biz)

MODEL	NOMINAL BORE (inches)	TOTAL LENGTH (inches)	BELLOW O.D. (inches)	AXIAL MOVEMENT (inches)	MAX. LATERAL OFFSET (inches)	OPERATING PRESSURE (psi)	TEMP. RANGE (°F)
JF-500-H-20	2	6	2.75	± 0.60	.59	370	-122 to +780
JF-500-H-25	2 1/2	6	3.40	± 0.60	.55	370	-122 to +780
JF-500-H-30	3	6	3.99	± 0.60	.47	370	-122 to +780
JF-500-H-40	4	6	5.03	± 0.60	.39	370	-122 to +780
JF-500-H-50	5	6	6.16	± 0.60	.31	370	-122 to +780
JF-500-H-60	6	6	7.22	± 0.60	.23	370	-122 to +780
JF-500-H-80	8	8	9.21	± 0.60	.31	370	-122 to +780
JF-500-H-100	10	8	11.37	± 0.60	.23	370	-122 to +780
JF-500-H-120	12	8	13.42	± 0.60	.19	370	-122 to +780
JF-500-H-140	14	9	15.58	± 0.60	.19	370	-122 to +780
JF-500-H-160	16	9	17.95	± 0.60	.19	370	-122 to +780
JF-500-H-180	18	9	19.96	± 0.60	.19	370	-122 to +780
JF-500-H-200	20	10	21.93	± 0.60	.19	370	-122 to +780
JF-500-H-240	24	11	25.79	± 0.60	.19	370	-122 to +780
JF-500-H-300	30	11	31.89	± 0.60	.19	370	-122 to +780



N.T.S.

### NOTES

1. Pressure ratings indicated above are based 68°F ambient temperature. For elevated temperature ratings, consult factory.

### APPLICATION

- \* Vibration absorption and piping misalignment correction.

### FEATURES

- \* Reduces noise and vibration transmission.
- \* Eliminates stress due to thermal expansion and piping misalignment.
- \* Engineered bellow design ensures equal stress distribution through entire length.
- \* Corrosion resistant materials
- \* Easy field installation
- \* Bellows manufactured as per EJMA standards

### MATERIALS (see figure)

No.	Part	Description
1	Bellows	SUS304 (SUS316 optional)
2	Flange	AISI 1015 (SUS304 optional)
3	Tie Rods	S25C
4	Gasket	Rubber

Notes / Remarks :

Project :  
Client :  
Consultant :  
Representative :

Title :

**JF-500-H**  
Stainless Steel Expansion Joints  
Flanged Connection  
(High Pressure)

Drawing no. **S-2525.03**  
Rev. **4**