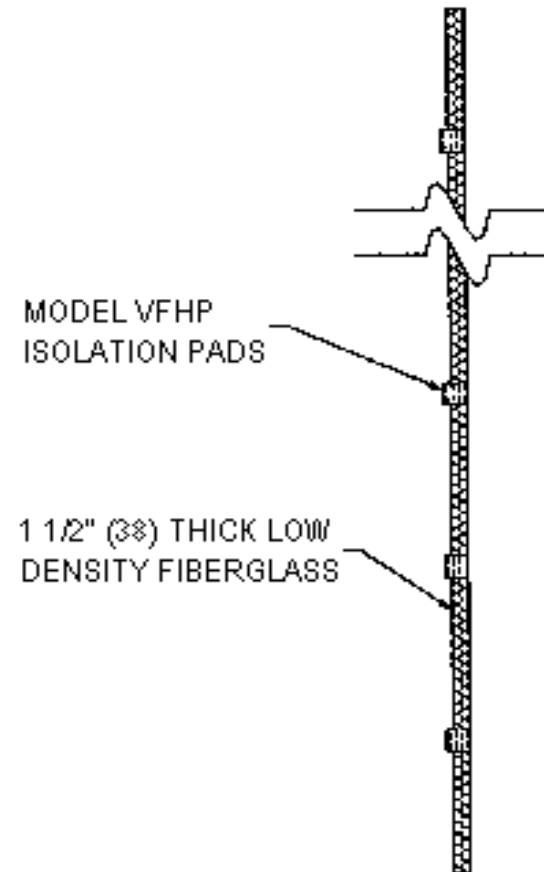
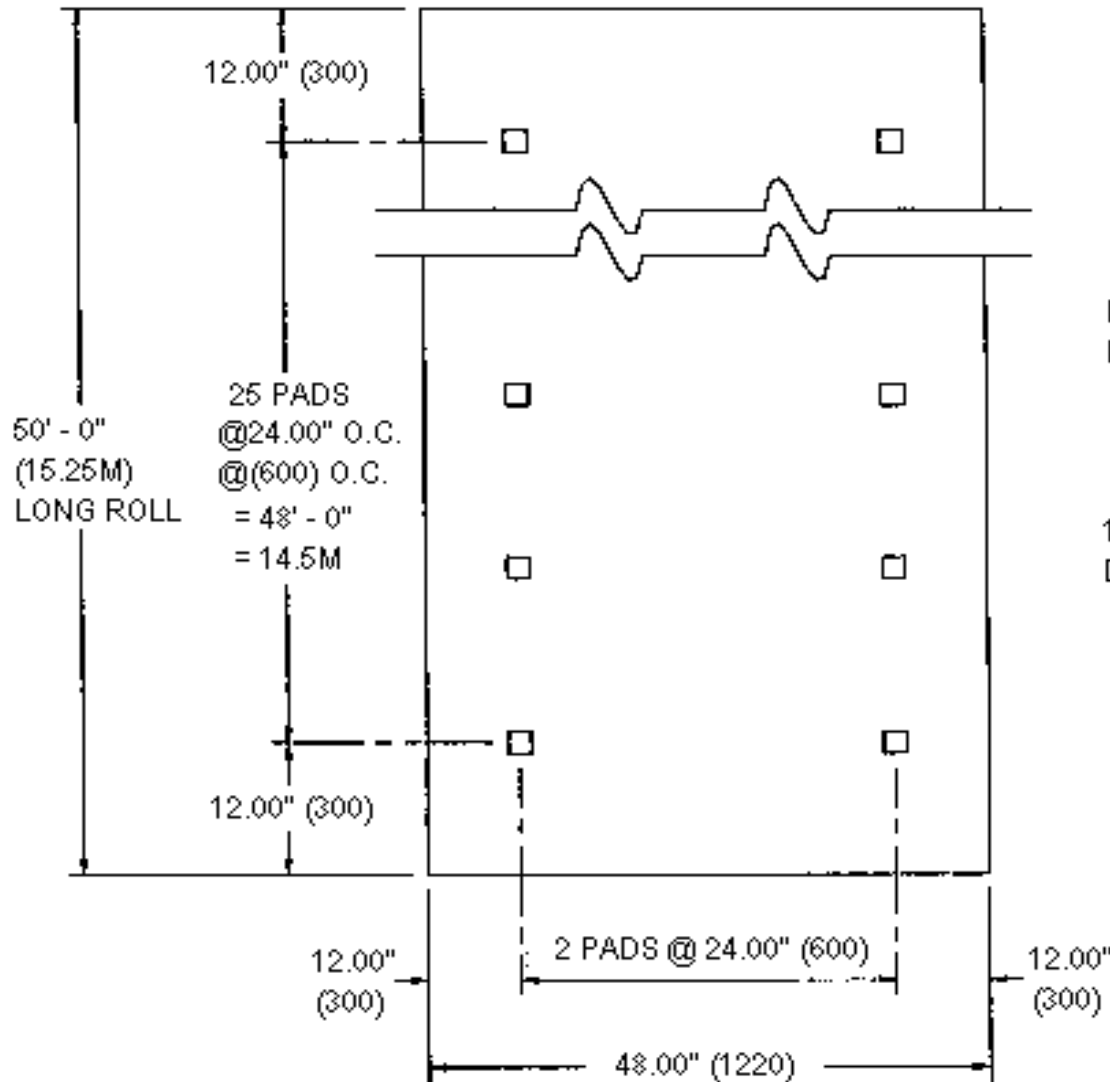


VIBRATION MANAGEMENT CORPORATION

5930 THOMAS ROAD , HOUSTON , TEXAS 77041 , U.S.A

INTERNET ADDRESS: www.vimco.biz



NOTE:
IF INSTALLED END TO END, CUT OR
OVERLAP FIBERGLASS TO MAINTAIN
24.00" (600) O.C. PAD SPACING

Notes / Remarks :

Project :
Client :
Consultant :
Representative :

Title : **VFRM-24** Rollout Isolation
Material with **VFHP** Pads at
24" center to center spacing

Drawing no.
S-2600.02

Rev. 2