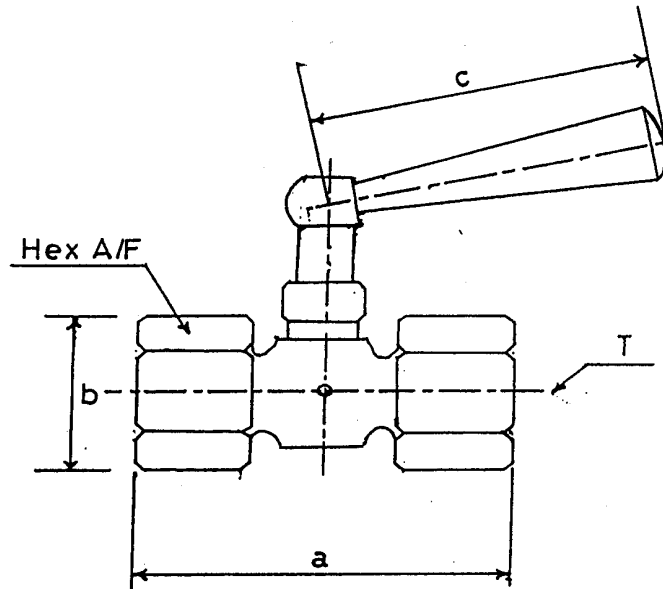


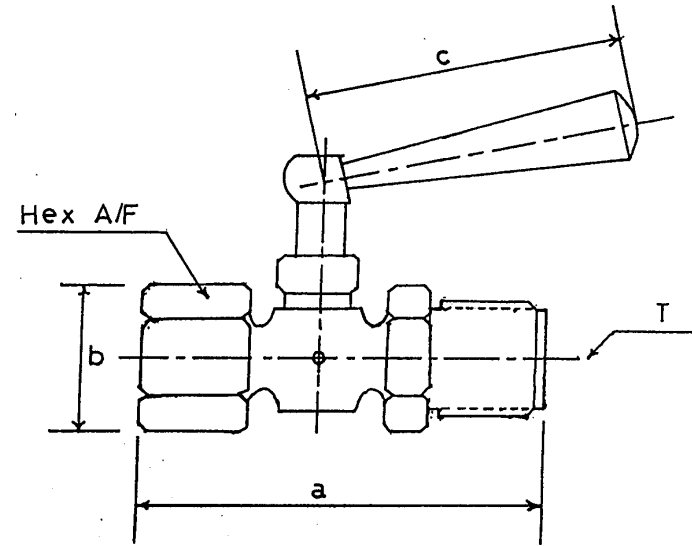
VIBRATION MANAGEMENT CORPORATION

5930 THOMAS ROAD , HOUSTON , TEXAS 77041 , U.S.A

INTERNET ADDRESS: www.vimco.biz



FEMALE / FEMALE (F/F)



FEMALE / MALE (F/M)

DESIGN	THREAD SIZE T	DIMENSIONS (inches)			
		a	b	c	HEX A/F
F / F	1/4"	1.73	0.70	1.46	0.63
F / M	1/4"	2.01	0.70	1.46	0.63
F / F	3/8"	2.16	0.87	1.46	0.75
F / M	3/8"	2.56	0.87	1.46	0.75
F / F	1/2"	2.36	1.06	2.13	0.92
F / M	1/2"	2.76	1.06	2.13	0.92

Notes / Remarks :

Project :
Client :
Consultant :
Representative :

Title :

Gauge Cock

Drawing no.
S-2700.01

Rev. 1