

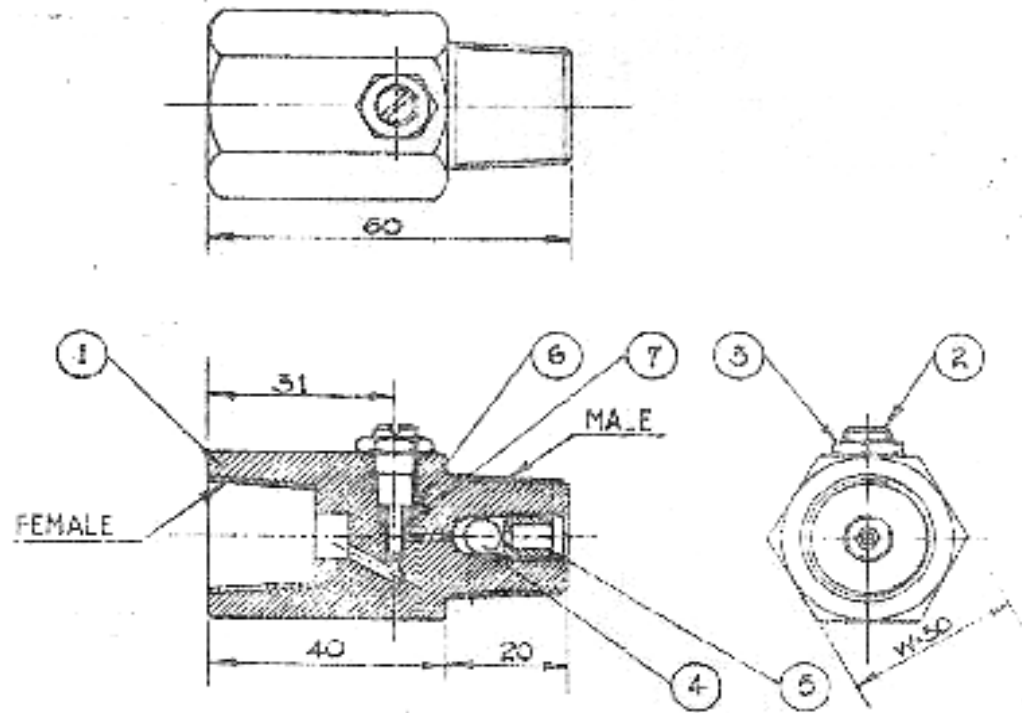
VIBRATION MANAGEMENT CORPORATION

5930 THOMAS ROAD , HOUSTON , TEXAS 77041 , U.S.A

INTERNET ADDRESS: www.vimco.biz

Material List

NO.	PART NAME	MATERIAL	QTY
1	Body	S.S. / Brass	1
2	Throttle Screw	S.S. / Brass	1
3	Lock nut	S.S. / Brass	1
4	Ball	S.S. / Brass	1
5	Grub Screw	Steel / Brass	1
6	Washer		1
7	O-ring	Rubber	1



* All dimensions are in mm

Notes / Remarks :

Project :
Client :
Consultant :
Representative :

Title : Adjustable Pulsation
Dampner

Drawing no.
S-2710.91

Rev. 0