

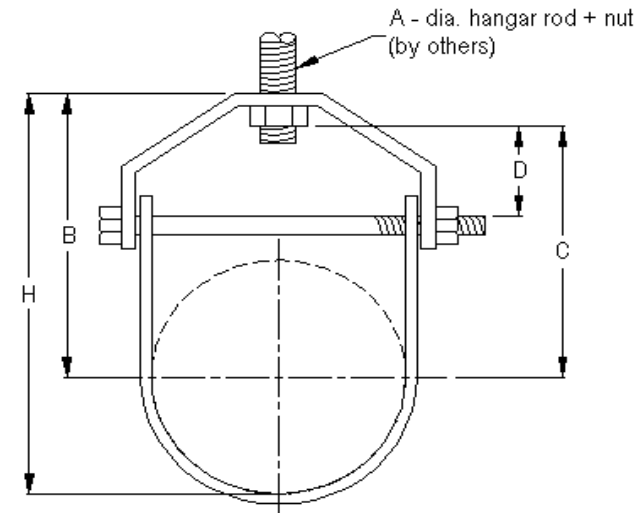
VIBRATION MANAGEMENT CORPORATION

5930 THOMAS ROAD , HOUSTON , TEXAS 77041 , U.S.A

INTERNET ADDRESS: www.vimco.biz



MODEL	PIPE SIZE (inches)	PART DIMENSIONS (inches)					MAX. LOAD (lbs)
		A	B	C	D	H	
SCH-5-x	1/2	3/8	2 7/16	2	1 1/8	2 7/8	610
SCH-7-x	3/4	3/8	2 5/8	2 3/16	1 1/4	3 1/8	610
SCH-10-x	1	3/8	3 1/16	2 5/8	1 5/8	3 3/4	610
SCH-12-x	1 1/4	3/8	3 3/8	2 15/16	1 5/8	4 3/16	610
SCH-15-x	1 1/2	3/8	3 1/2	3 1/16	1 1/2	4 7/16	610
SCH-20-x	2	3/8	3 3/4	3 5/16	1 5/8	5	610
SCH-25-x	2 1/2	1/2	3 7/8	3 1/4	1 1/8	5 3/8	1130
SCH-30-x	3	1/2	4 1/4	3 5/8	1 1/8	6	1130
SCH-35-x	3 1/2	1/2	4 1/2	3 7/8	1 1/4	6 1/2	1130
SCH-40-x	4	5/8	5 1/2	4 11/16	1 3/4	7 11/16	1430
SCH-50-x	5	5/8	6 1/8	5 5/16	1 7/8	9 1/8	1430
SCH-60-x	6	3/4	3 7/8	6	1 5/8	10 1/8	1940
SCH-80-x	8	7/8	8 3/4	7 7/8	2 1/8	12 7/8	2000
SCH-100-x	10	7/8	9 1/4	8 1/8	1 3/4	14 5/8	3600
SCH-120-x	12	7/8	11 5/8	10 1/2	2 1/2	18	3800
SCH-140-x	14	1	12 3/4	11 1/4	2 5/8	19 3/4	4200
SCH-160-x	16	1	14 5/8	13 5/8	2 5/8	22 1/8	4600
SCH-180-x	18	1 1/8	18	15	3 1/2	25 1/2	4800
SCH-200-x	20	1 1/4	18	16 1/8	4 1/8	28	4800
SCH-240-x	24	1 1/4	20 1/4	18 3/8	4 3/4	32 1/4	4800
SCH-300-x	30	1 1/4	24 1/2	21 1/2	5 1/2	38 7/8	6000
SCH-360-x	36	1 1/2	32	30	8 3/4	50	9500



MATERIALS

Item	Description
Bracket	Low carbon steel
Cross bolt + hex nut	Low carbon steel

FEATURES

- * Design allows for vertical adjustment of pipe after installation.

SPECIFICATIONS

- * Complies with Federal Specification A-A-1192A (Type 1)
- * Complies with ANSI/MSS SP-58-2009 (Type 1)

NOTES

1. Choose appropriate model for required finish:
P-Plain. G-Electro Galvanized. H-Hot Dip Galvanized (non-threaded components only).
2. Add "L" to model suffix to add 1/8" internal elastomeric lining (e.g. SCHL). Horizontal ID of lined hanger will reduce by 1/4"

APPLICATION

- * Suspension of non-insulated pipes with allowance for vertical adjustment.

Notes / Remarks :	Project :	SCH Standard Clevis Hanger	Title :	S-2730.01 Rev. 3
	Client :			
	Consultant :			
	Representative :			