

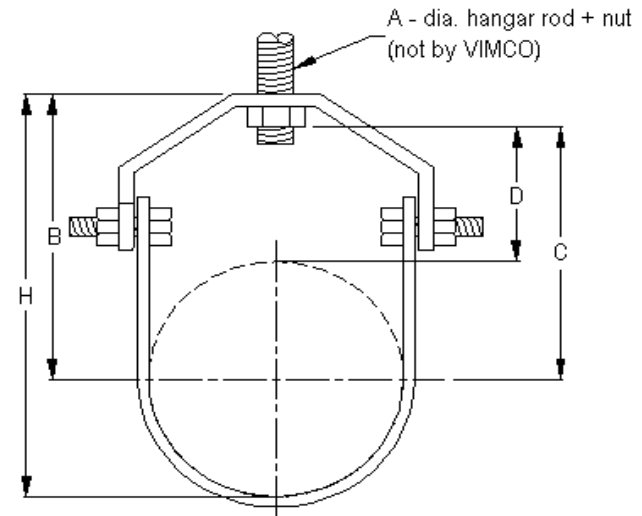
# VIBRATION MANAGEMENT CORPORATION

5930 THOMAS ROAD , HOUSTON , TEXAS 77041 , U.S.A

INTERNET ADDRESS: [www.vimco.biz](http://www.vimco.biz)



MODEL	PIPE SIZE (inches)	PART DIMENSIONS (inches)					MAX. LOAD (lbs)
		A	B	C	D	H	
PCH-5-x	1/2	3/8	1 7/8	1 7/16	1	2 5/16	610
PCH-7-x	3/4	3/8	1 7/8	1 7/16	15/16	2 7/16	610
PCH-10-x	1	3/8	2 5/16	1 7/8	1 1/4	3	610
PCH-12-x	1 1/4	3/8	2 5/8	2 1/4	1 3/8	3 1/2	610
PCH-15-x	1 1/2	3/8	2 15/16	2 9/16	1 9/16	3 15/16	610
PCH-20-x	2	3/8	3 3/8	2 15/16	1 11/16	4 5/8	610
PCH-25-x	2 1/2	1/2	4 5/8	4 1/16	2 9/16	6 1/8	1130
PCH-30-x	3	1/2	4 11/16	4 1/8	2 3/8	6 1/2	1130
PCH-35-x	3 1/2	1/2	5 3/4	5 3/16	3 1/8	7 13/16	1130
PCH-40-x	4	5/8	5 13/16	5 1/16	2 3/4	8 1/8	1430
PCH-50-x	5	5/8	5 3/4	5	2 1/8	8 5/8	1430
PCH-60-x	6	3/4	7	6 1/8	2 3/4	10 3/8	1940
PCH-80-x	8	3/4	8 1/16	7 1/4	2 13/16	12 7/16	2000
PCH-100-x	10	7/8	9 3/4	8 3/4	3 5/16	15 3/16	3600
PCH-120-x	12	7/8	11 9/16	10 7/16	4	18	3800
PCH-140-x	14	1	12 5/16	11 1/16	4	19 7/16	4200
PCH-160-x	16	1	13 15/16	12 5/8	4 5/8	21 15/16	4600
PCH-180-x	18	1	16	14 11/16	5 11/16	25	4800
PCH-200-x	20	1 1/4	17 1/2	15 15/16	5 15/16	27 1/2	4800
PCH-240-x	24	1 1/4	19 3/4	18 1/16	6 1/16	31 3/4	4800
PCH-300-x	30	1 1/4	24 1/8	22 5/16	7 5/16	39 1/8	6000
PCH-360-x	36	1 1/2	31	28 15/16	10 15/16	49	9500



### MATERIALS

Item	Description
Bracket	Low carbon steel
Cross bolt + hex nut	Low carbon steel

### FEATURES (Patent pending design)

- \* Design allows for vertical adjustment of pipe after installation.
- \* Eliminates need for seismic cross-bolt brace. Design includes restraint to keep clevis from collapsing during seismic event.
- \* Allows easy installation by maintaining vertical alignment of bottom + top members
- \* Prevents hanger sag caused by inward movement of upper ends of lower yoke.

### SPECIFICATIONS

- \* Complies with Federal Specification A-A-1192A (Type 1)
- \* Complies with ANSI/MSS SP-58-2009 (Type 1)

### NOTES

1. Choose appropriate model for required finish:  
P-Plain. G-Electro Galvanized. H-Hot Dip Galvanized (non-threaded components only).
2. Add "L" to model suffix to add 1/8" internal elastomeric lining (e.g. PCHL). Horizontal ID of lined hanger will reduce by 1/4"

### APPLICATION

- \* Suspension of insulated / non-insulated pipes with allowance for vertical adjustment.

Notes / Remarks :	Project :	Title : <b>PCH</b> <b>Patented Clevis Hanger</b>	Drawing no. <b>S-2730.02</b>
	Client :		
	Consultant :		
	Representative :		
			Rev. 1