

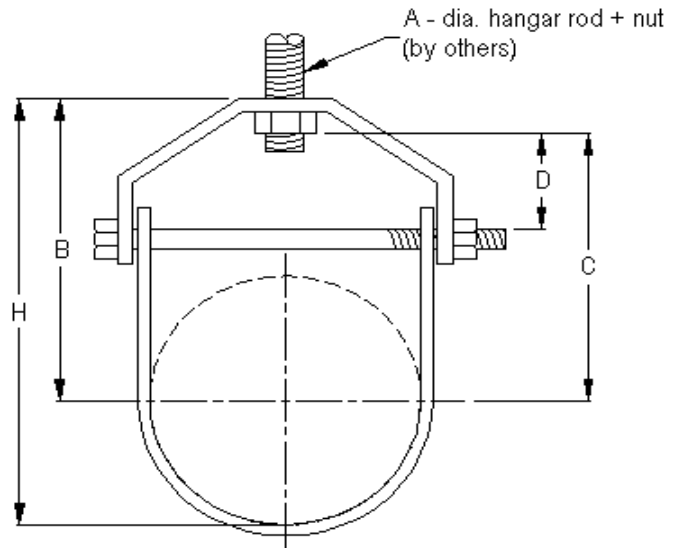
VIBRATION MANAGEMENT CORPORATION

5930 THOMAS ROAD , HOUSTON , TEXAS 77041 , U.S.A

INTERNET ADDRESS: www.vimco.biz



MODEL	PIPE SIZE (inches)	PART DIMENSIONS (inches)					MAX. LOAD (lbs)
		A	B	C	D	H	
NCH-5-x	1/2	3/8	1 7/8	1 7/16	9/16	2 5/16	610
NCH-7-x	3/4	3/8	1 7/8	1 7/16	9/16	2 7/16	610
NCH-10-x	1	3/8	2 5/16	1 7/8	11/16	3	610
NCH-12-x	1 1/4	3/8	2 5/8	2 1/4	7/8	3 1/2	610
NCH-15-x	1 1/2	3/8	2 15/16	2 9/16	1 9/16	3 15/16	610
NCH-20-x	2	3/8	3 3/8	2 15/16	1 1/4	4 5/8	610
NCH-25-x	2 1/2	1/2	4 5/8	4 1/16	1 15/16	6 1/8	1130
NCH-30-x	3	1/2	4 11/16	4 1/8	1 3/4	6 1/2	1130
NCH-35-x	3 1/2	1/2	5 3/4	5 3/16	2 9/16	7 13/16	1130
NCH-40-x	4	5/8	5 13/16	5 1/16	2 1/8	8 1/8	1430
NCH-50-x	5	5/8	5 3/4	5	1 7/16	8 5/8	1430
NCH-60-x	6	3/4	7	6 1/8	1 3/4	10 3/8	1940
NCH-80-x	8	3/4	8 1/16	7 1/4	1 7/8	12 7/16	2000
NCH-100-x	10	7/8	9 3/4	8 3/4	2 1/4	15 3/16	3600
NCH-120-x	12	7/8	11 9/16	10 7/16	2 13/16	18	3800
NCH-140-x	14	1	12 5/16	11 1/16	2 9/16	19 7/16	4200
NCH-160-x	16	1	13 15/16	12 5/8	2 7/8	21 15/16	4600
NCH-180-x	18	1	16	14 11/16	3 3/4	25	4800
NCH-200-x	20	1 1/4	17 1/2	15 15/16	3 15/16	27 1/2	4800
NCH-240-x	24	1 1/4	19 3/4	18 1/16	4 7/16	31 3/4	4800
NCH-300-x	30	1 1/4	24 1/8	22 5/16	5 5/16	39 1/8	6000
NCH-360-x	36	1 1/2	31	28 15/16	8 11/16	49	9500



MATERIALS

Item	Description
Bracket	Low carbon steel
Cross bolt + hex nut	Low carbon steel

FEATURES

- * Design allows for vertical adjustment of pipe after installation.
- * Redesigned in compliance with new MSS SP-58 2009 standard

SPECIFICATIONS

- * Complies with Federal Specification A-A-1192A (Type 1)
- * Complies with ANSI/MSS SP-58-2009 (Type 1)

NOTES

1. Choose appropriate model for required finish:
P-Plain. G-Electro Galvanized. H-Hot Dip Galvanized (non-threaded components only).
2. Add "L" to model suffix to add 1/8" internal elastomeric lining (e.g. NCHL). Horizontal ID of lined hanger will reduce by 1/4"

APPLICATION

- * Suspension of insulated / non-insulated pipes with allowance for vertical adjustment.

Notes / Remarks :	Project :	Title : NCH New Clevis Hanger	Drawing no. S-2730.03
	Client :		
	Consultant :		
	Representative :		