

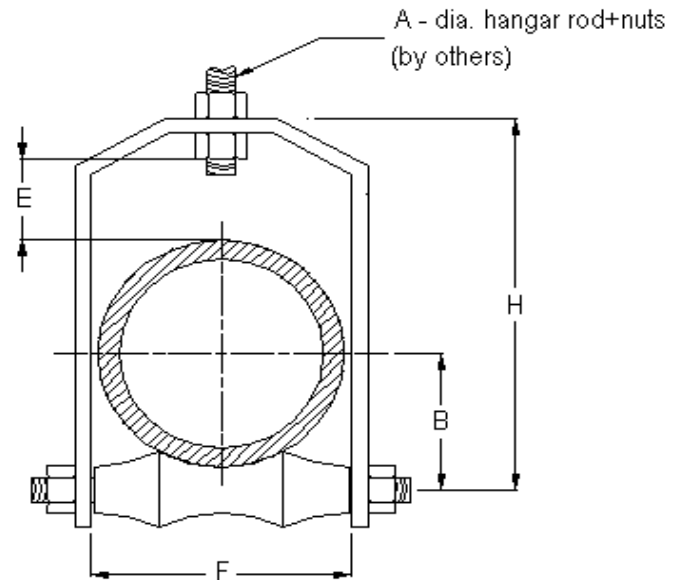
VIBRATION MANAGEMENT CORPORATION

5930 THOMAS ROAD , HOUSTON , TEXAS 77041 , U.S.A

INTERNET ADDRESS: www.vimco.biz



MODEL	PIPE SIZE (inches)	PART DIMENSIONS (inches)					MAX. LOAD (lbs)
		A	B	E	F	H	
LRH-20-x	2	3/8	1 9/16	1 7/16	2 7/8	4 3/4	150
LRH-25-x	2 1/2	1/2	1 7/8	2	3 1/4	6	225
LRH-30-x	3	1/2	2 3/16	2	3 7/8	6 5/8	310
LRH-35-x	3 1/2	1/2	2 1/2	2	4 3/8	7 1/4	390
LRH-40-x	4	5/8	2 3/4	2	4 7/8	7 7/8	475
LRH-50-x	5	5/8	3 3/8	2	5 15/16	9 3/16	685
LRH-60-x	6	3/4	3 15/16	2	7	10 3/8	780
LRH-80-x	8	7/8	5 1/16	2	9	12 5/8	780
LRH-100-x	10	7/8	6 1/4	2 1/16	11 1/8	14 15/16	965
LRH-120-x	12	7/8	7 3/8	2 1/4	13 3/8	17 3/8	1200
LRH-140-x	14	1	8 1/4	2 1/4	14 1/2	19	1200
LRH-160-x	16	1	9 1/4	2	16 3/8	20 3/4	1200
LRH-180-x	18	1	10 3/8	2 11/16	18 3/8	23 11/16	1400
LRH-200-x	20	1 1/4	11 1/2	2 1/2	20 3/8	25 7/8	1600
LRH-240-x	24	1 1/2	13 13/16	4 1/2	24 1/2	32 9/16	1600
LRH-300-x	30	1 1/2	17 1/4	5 1/2	30 5/8	40	1600



Item	Description
Bracket	Low carbon steel
Roller	Cast Iron
Axle + hex nut	Low carbon steel

NOTES

- Choose appropriate model for required finish:
P-Plain. G-Electro Galvanized. H-Hot Dip Galvanized (non-threaded components only).

APPLICATION

- * Suspension of insulated / non-insulated pipes where longitudinal movement, due to expansion and contraction, may occur, and vertical adjustment is required.

FEATURES

- * Design allows for vertical adjustment of pipe after installation.

SPECIFICATIONS

- * Complies with Federal Specification A-A-1192A (Type 44)
- * Complies with ANSI/MSS SP-58-2009 (Type 43)

Notes / Remarks :

Project :
Client :
Consultant :
Representative :

Title :

LRH
Roller Hanger (long)

Drawing no.
S-2730.31

Rev. 3