

VIBRATION MANAGEMENT CORPORATION

5930 THOMAS ROAD , HOUSTON , TEXAS 77041 , U.S.A

INTERNET ADDRESS: www.vimco.biz



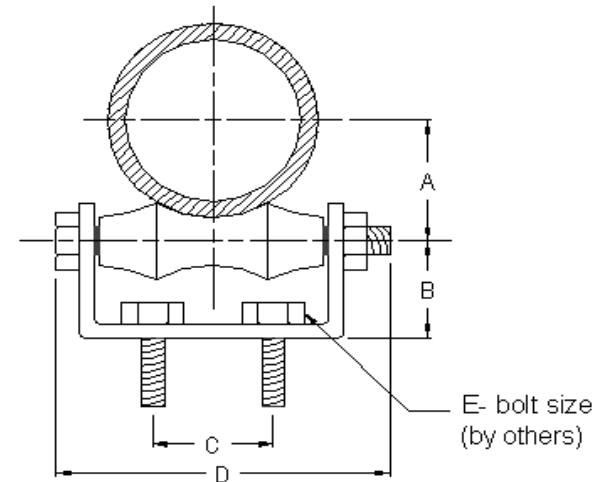
MODEL	PIPE SIZE (inches)	PART DIMENSIONS (inches)					MAX. LOAD (lbs)
		A	B	C	D	E	
LRC-20-x	2	1 9/16	1 1/2	1 1/4	4 5/8	3/8 x 1 1/2	300
LRC-25-x	2 1/2	1 7/8	1 5/8	1 1/4	5 3/8	3/8 x 1 1/2	600
LRC-30-x	3	2 3/16	1 3/4	2	6	3/8 x 1 1/2	600
LRC-35-x	3 1/2	2 1/2	2 1/16	2	6 3/4	3/8 x 1 1/2	600
LRC-40-x	4	2 3/4	2 5/16	2	7 1/4	1/2 x 1 1/2	700
LRC-50-x	5	3 3/8	2 1/2	3	8 7/16	1/2 x 1 1/2	700
LRC-60-x	6	3 15/16	2 3/4	3 1/8	9 3/4	1/2 x 1 1/2	1000
LRC-80-x	8	5 1/16	3	3 3/8	12	5/8 x 1 1/2	1300
LRC-100-x	10	6 1/4	3 5/8	5 1/4	14 7/16	5/8 x 2	1700
LRC-120-x	12	7 3/8	4 1/8	5 1/2	16 5/8	5/8 x 2	2300
LRC-140-x	14	8 1/4	4 5/8	5 3/4	18 3/8	5/8 x 2	3000
LRC-160-x	16	9 1/4	5 1/4	8	20 5/8	5/8 x 2	4000
LRC-180-x	18	10 3/8	5 1/8	9 1/2	22 5/8	5/8 x 2	4000
LRC-200-x	20	11 1/2	5 5/8	10	25	3/4 x 2 1/4	4000
LRC-240-x	24	13 13/16	6 5/8	12	29 3/4	3/4 x 2 1/4	4000
LRC-300-x	30	17 1/4	7 1/8	14	36 1/2	1 x 2 1/2	4000

NOTES

- Choose appropriate model for required finish:
P-Plain. G-Electro Galvanized. H-Hot Dip Galvanized (non-threaded components only).

APPLICATION

- * Support of insulated / non-insulated pipes where longitudinal movement, due to expansion and contraction, may occur, but vertical adjustment is not required.



MATERIALS

Item	Description
Roller	Cast Iron
Chair	Low carbon steel
Axle + hex nut	Low carbon steel

FEATURES

- * Chair can be welded directly to structure or bolted in place using mounting holes which are standard construction.

SPECIFICATIONS

- * Complies with Federal Specification A-A-1192A (Type 45)
- * Complies with ANSI/MSS SP-58-2009 (Type 44)

Notes / Remarks :

Project :
Client :
Consultant :
Representative :

Title :

LRC
Roller Chair (long)

Drawing no.
S-2733.01

Rev. 4