

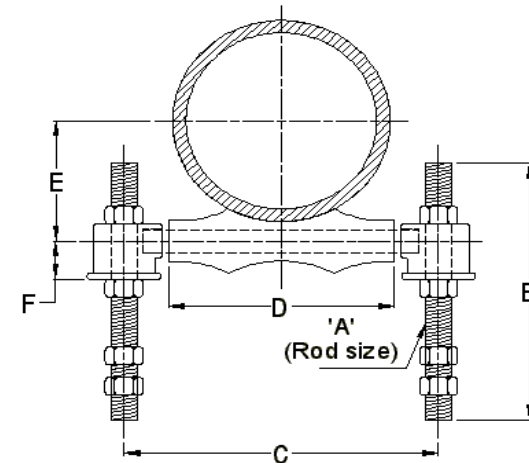
VIBRATION MANAGEMENT CORPORATION

5930 THOMAS ROAD , HOUSTON , TEXAS 77041 , U.S.A

INTERNET ADDRESS: www.vimco.biz



MODEL	PIPE SIZE (inches)	PART DIMENSIONS (inches)						MAX. LOAD (lbs)
		A	B	C	D	E	F	
ALRS-40-x	4	5/8	12	6 3/4	4 3/4	2 3/4	3/4	750
ALRS-50-x	5	5/8	12	8 1/16	5 13/16	3 3/8	3/4	750
ALRS-60-x	6	3/4	12	9 9/16	6 7/8	3 15/16	1 1/8	1070
ALRS-80-x	8	7/8	12	11 15/16	8 7/8	5 1/16	1 1/8	1350
ALRS-100-x	10	7/8	12	14 1/16	11	6 1/4	1 1/8	1730
ALRS-120-x	12	7/8	12	15 13/16	13	7 3/8	1 1/8	2400
ALRS-140-x	14	1	12	17 3/4	14 1/4	8 1/4	1 1/2	3130
ALRS-160-x	16	1 1/4	18	20 1/2	16 1/4	9 1/4	1 5/8	3970
ALRS-180-x	18	1 1/4	18	22 3/8	18 1/4	10 3/8	1 5/8	4200
ALRS-200-x	20	1 1/4	18	24 1/2	20 1/4	11 1/2	1 3/4	4550
ALRS-240-x	24	1 1/2	24	28 5/16	24 1/4	13 13/16	2	6000
ALRS-300-x	30	1 1/2	24	35	30 1/4	17 1/4	2 1/4	6000



NOTES

- Choose appropriate model for required finish:
P-Plain. G-Electro Galvanized. H-Hot Dip Galvanized (non-threaded components only).
- To order only roller+axle+sockets (for use in ceiling suspended applications with threaded rods) specify model ALRH.

APPLICATION

- * Support of insulated / non-insulated pipes where longitudinal movement, due to expansion and contraction, may occur, and vertical adjustment is required.

MATERIALS

Item	Description
Roller	Cast Iron
Axle + Rods + Hex Nuts	Low carbon steel
Sockets	Cast Iron

FEATURES

- * Design allows for vertical adjustment of pipe after installation.

SPECIFICATIONS

- * Complies with Federal Specification A-A-1192A (Type 42)
- * Complies with ANSI/MSS SP-58-2009 (Type 41)

Notes / Remarks :

Project :
Client :
Consultant :
Representative :

Title :

ALRS
Adjustable Long
Roller Support

Drawing no.
S-2733.03

Rev. 7