

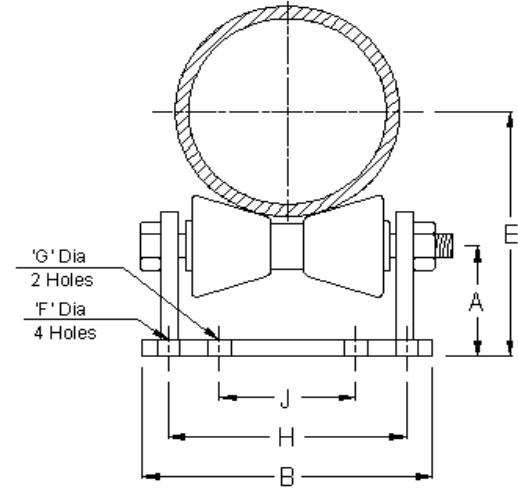
VIBRATION MANAGEMENT CORPORATION

5930 THOMAS ROAD , HOUSTON , TEXAS 77041 , U.S.A

INTERNET ADDRESS: www.vimco.biz



MODEL	PIPE SIZE (inches)	PART DIMENSIONS						MAX. LOAD (lbs)
		A (inches)	B (inches)	E (inches)	F (inches)	G (inches)	H (inches)	
SRS-20.35-x	2	1 3/4	5	3 11/16	1/2	9/16	3 7/16	390
	2 1/2	1 3/4	5	3 15/16	1/2	9/16	3 7/16	390
	3	1 3/4	5	4 1/4	1/2	9/16	3 7/16	390
	3 1/2	1 3/4	5	4 1/2	1/2	9/16	3 7/16	390
SRS-40.60-x	4	2 1/16	6 1/4	5	1/2	9/16	4 11/16	950
	5	2 1/16	6 1/4	5 9/16	1/2	9/16	4 11/16	950
	6	2 1/16	6 1/4	6 1/16	1/2	9/16	4 11/16	950
SRS-80.100-x	8	3 7/16	8 1/2	8 13/16	5/8	11/16	7	2100
	10	3 7/16	8 1/2	9 7/8	5/8	11/16	7	2100
SRS-120.140-x	12	3 7/8	10 15/16	11 7/16	3/4	13/16	9 1/16	3075
	14	3 7/8	10 15/16	12 1/16	3/4	13/16	9 1/16	3075
SRS-160.200-x	16	4 1/4	12 3/8	13 5/8	13/16	13/16	10 1/4	4980
	18	4 1/4	12 3/8	14 11/16	13/16	13/16	10 1/4	4980
	20	4 1/4	12 3/8	15 11/16	13/16	13/16	10 1/4	4980
SRS-220.240-x	22	4 3/8	13 1/2	18 11/16	13/16	13/16	11 3/8	6100
	24	4 3/8	13 1/2	17 11/16	13/16	13/16	11 3/8	6100
SRS-260.300-x	26	5 1/8	17	19 3/4	1 1/16	1 1/16	14 1/4	7500
	28	5 1/8	17	20 3/4	1 1/16	1 1/16	14 1/4	7500
	30	5 1/8	17	21 3/4	1 1/16	1 1/16	14 1/4	7500
SRS-360.420-x	36	5 5/8	19 1/4	25 7/8	1 5/16	1 5/16	16 1/2	12000
	38	5 5/8	19 1/4	26 7/8	1 5/16	1 5/16	16 1/2	12000
	40	5 5/8	19 1/4	27 7/8	1 5/16	1 5/16	16 1/2	12000
	42	5 5/8	19 1/4	28 7/8	1 5/16	1 5/16	16 1/2	12000
SRS-440.600-x	48	6 13/32	22	33 1/4	1 5/16	1 5/16	19 1/32	12000
	54	6 13/32	22	36 1/4	1 5/16	1 5/16	19 1/32	12000
	60	6 13/32	22	39 1/4	1 5/16	1 5/16	19 1/32	12000



MATERIALS

Item	Description
Chair	Low carbon steel
Roller	Cast Iron
Axle + hex nuts	Low carbon steel

NOTES

- Choose appropriate model for required finish: P-Plain. G-Electro Galvanized. H-Hot Dip Galvanized (non-threaded components only).

APPLICATION

* Support of insulated / non-insulated pipes where longitudinal movement, due to expansion and contraction, may occur, but vertical adjustment is not required.

FEATURES

* Chair can be welded directly to structure or bolted in place using mounting holes which are furnished as standard.

SPECIFICATIONS

- * Complies with Federal Specification A-A-1192A (Type 45) - upto size 360.420
- * Complies with ANSI/MSS SP-58-2009 (Type 44) - upto size 360.420

Notes / Remarks :	Project :	Title : SRS Short Roller Stand	Drawing no. S-2733.11 Rev. 4
	Client :		
	Consultant :		
	Representative :		