

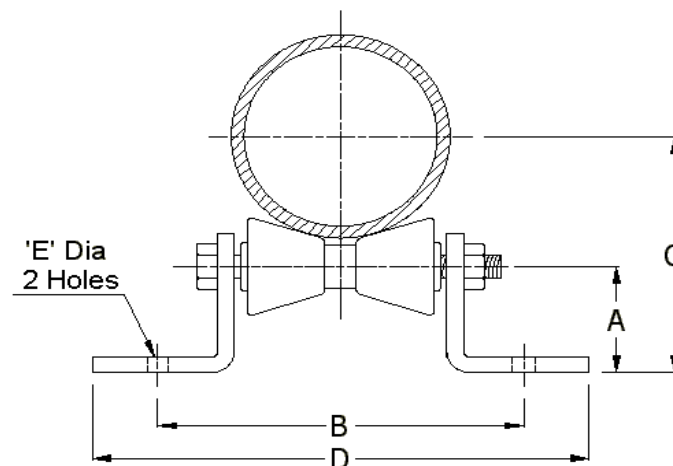
VIBRATION MANAGEMENT CORPORATION

5930 THOMAS ROAD , HOUSTON , TEXAS 77041 , U.S.A

INTERNET ADDRESS: www.vimco.biz



MODEL	PIPE SIZE (inches)	PART DIMENSIONS (inches)					MAX. LOAD (lbs)
		A	B	C	D	E	
SRBS-20.35-x	2	1 13/16	5 1/4	3 1/8	6 7/8	9/16	390
	2 1/2	1 13/16	5 1/4	3 3/8	6 7/8	9/16	390
	3	1 13/16	5 1/4	3 11/16	6 7/8	9/16	390
	3 1/2	1 13/16	5 1/4	3 15/16	6 7/8	9/16	390
SRBS-40.60-x	4	1 7/16	6 1/4	4 3/8	7 7/8	9/16	600
	5	1 7/16	6 1/4	4 15/16	7 7/8	9/16	600
	6	1 7/16	6 1/4	5 7/16	7 7/8	9/16	600
SRBS-80.100-x	8	1 13/16	8 1/2	7 3/16	10 1/8	9/16	800
	10	1 13/16	8 1/2	8 1/2	10 1/8	9/16	800
SRBS-120.140-x	12	2 7/16	11 3/4	10	13 5/8	13/16	1300
	14	2 7/16	11 3/4	10 5/8	13 5/8	13/16	1300
SRBS-160.200-x	16	2 5/8	12 3/8	12	14 5/8	13/16	2300
	18	2 5/8	12 3/8	13 1/16	14 5/8	13/16	2300
	20	2 5/8	12 3/8	14 1/16	14 5/8	13/16	2300



NOTES

- Choose appropriate model for required finish:
P-Plain. G-Electro Galvanized. H-Hot Dip Galvanized (non-threaded components only).

APPLICATION

- * Support of insulated / non-insulated pipes where longitudinal movement, due to expansion and contraction, may occur, but vertical adjustment is not required.

MATERIALS

Item	Description
Angle Brackets	Low carbon steel
Roller	Cast Iron
Axle + hex nuts	Low carbon steel

FEATURES

- * Base brackets designed for mounting on struts / metal framing.

Notes / Remarks :

Project :
Client :
Consultant :
Representative :

Title :

SRBS
Short Roller Base Support

Drawing no.

S-2733.13

Rev. 3