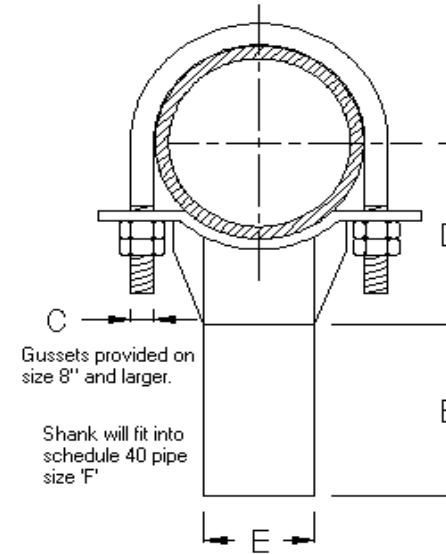


# VIBRATION MANAGEMENT CORPORATION

5930 THOMAS ROAD , HOUSTON , TEXAS 77041 , U.S.A

INTERNET ADDRESS: [www.vimco.biz](http://www.vimco.biz)

MODEL	PIPE SIZE (inches)	PART DIMENSIONS				
		B (inches)	C (inches)	D (inches)	E (inches)	F (pipe size)
PSS(U)-25-P/G	2 1/2	4	1/2	3 1/8	1 1/2	1 1/2
PSS(U)-30-P/G	3	4	1/2	3 7/16	1 1/2	1 1/2
PSS(U)-35-P/G	3 1/2	4	1/2	3 11/16	1 1/2	1 1/2
PSS(U)-40-P/G	4	4	1/2	4 1/4	2 3/8	2 1/2
PSS(U)-50-P/G	5	4	1/2	4 9/16	2 3/8	2 1/2
PSS(U)-60-P/G	6	4	5/8	5 1/2	2 3/8	2 1/2
PSS(U)-80-P/G	8	4	5/8	7	2 3/8	2 1/2
PSS(U)-100-P/G	10	4	3/4	8	2 3/8	2 1/2
PSS(U)-120-P/G	12	4	7/8	9 3/16	2 3/8	2 1/2
PSS(U)-140-P/G	14	4	7/8	10 9/16	2 7/8	3
PSS(U)-160-P/G	16	4	7/8	11 9/16	2 7/8	3
PSS(U)-180-P/G	18	4	1	13 9/16	4	4
PSS(U)-200-P/G	20	4	1	14 9/16	4	4
PSS(U)-240-P/G	24	4	1	16 9/16	4	4
PSS(U)-300-P/G	30	4	1	20 11/16	4	4



### MATERIALS

Item	Description
Saddle + Shank	Low carbon steel
U bolt + nuts	Low carbon steel

### FEATURES

- \* U bolt mounting holes furnished as standard on PSS models for on-site addition.
- \* Companion base stands (model PBS) available in customer specified heights, allow for straight pipe runs over uneven floor grades.

### SPECIFICATIONS

- \* Complies with Federal Specification WW-H-171-E (Type 36,37)
- \* Complies with Manufacturer's Standardization Society SP-69 & SP-58 (Type 36,37)

### NOTES

1. Choose appropriate model for required finish:  
P - Plain , G - Electroplated
2. Refer protection shield catalogs for sizing information for insulated pipes.
3. Specify 'PSSU' model for U bolt support.

### APPLICATION

- \* Support of insulated / non-insulated, horizontal pipes running close to floor.  
Typically used with base stand model PBS.

Notes / Remarks :

Project :  
Client :  
Consultant :  
Representative :

Title :

**PSS / PSSU**  
**Pipe Saddle Support**  
**With / Without U Bolt**

Drawing no.  
**S-2733.31**

Rev. 1