

VIBRATION MANAGEMENT CORPORATION

5930 THOMAS ROAD , HOUSTON , TEXAS 77041 , U.S.A

INTERNET ADDRESS: www.vimco.biz

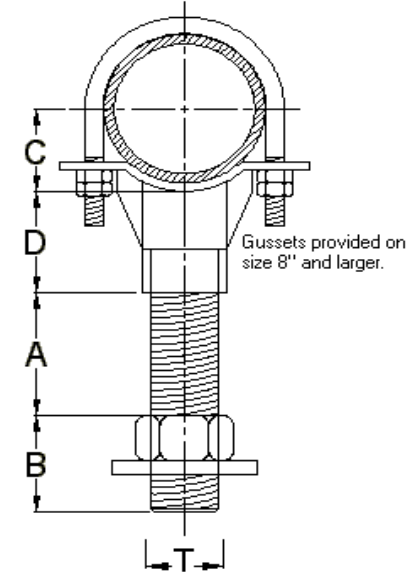
MODEL	PIPE SIZE (inches)	PART DIMENSIONS				
		A (inches)	B (inches)	C (inches)	D (inches)	T (pipe size)
APSS(U)-W/T-25-P/G	2 1/2	5	1 11/16	1 7/16	2 1/4	1 3/4
APSS(U)-W/T-30-P/G	3	5	1 11/16	2	2 5/16	1 3/4
APSS(U)-W/T-35-P/G	3 1/2	5	1 11/16	2 1/4	2 5/16	1 3/4
APSS(U)-W/T-40-P/G	4	5	1 13/16	2 1/2	2 3/8	2
APSS(U)-W/T-50-P/G	5	5	1 13/16	3	2 3/8	2
APSS(U)-W/T-60-P/G	6	5	1 13/16	3 9/16	2 5/16	2
APSS(U)-W/T-80-P/G	8	5	1 13/16	4 11/16	2 11/16	2
APSS(U)-W/T-100-P/G	10	5	1 13/16	5 3/4	3	2
APSS(U)-W/T-120-P/G	12	5	1 13/16	6 3/4	3 7/16	2
APSS(U)-W/T-140-P/G	14	5	2 1/4	7 3/8	4	2 1/2
APSS(U)-W/T-160-P/G	16	5	2 1/4	8 3/8	4 3/8	2 1/2
APSS(U)-W/T-180-P/G	18	5	2 1/4	9 1/2	4 11/16	2 1/2
APSS(U)-W/T-200-P/G	20	5	2 1/4	10 1/2	5 1/2	2 1/2
APSS(U)-W/T-240-P/G	24	5	2 1/4	12 1/2	5 15/16	2 1/2
APSS(U)-W/T-300-P/G	30	5	2 1/4	15 1/2	6 1/4	2 1/2

NOTES

1. Choose appropriate model for required finish:
P - Plain , G - Electroplated
2. Refer protection shield catalogs for sizing information for insulated pipes.
3. Specify 'APSSU' model for U bolt support.
4. Dimension 'B' is the minimum threaded rod insertion in base stand. Dimension 'A' is the maximum height adjustment capability.

APPLICATION

- * Support of insulated / non-insulated, horizontal pipes running close to floor, where vertical adjustment is required.
- * Typically used with PBS Plain Base Stand



MATERIALS

Item	Description
Saddle + Shank	Low carbon steel
U bolt + nuts	Low carbon steel

FEATURES

- * U bolt mounting holes furnished as standard on APSS models for on-site addition.
- * Height adjustment capability allows for straight pipe runs over uneven floor grades.

Notes / Remarks :

Project :
Client :
Consultant :
Representative :

Title :

APSS / APSSU
Adjustable Pipe
Saddle Support
With / Without U Bolt

Drawing no.
S-2733.32

Rev. 1