

VIBRATION MANAGEMENT CORPORATION

5930 THOMAS ROAD , HOUSTON , TEXAS 77041 , U.S.A

INTERNET ADDRESS: www.vimco.biz

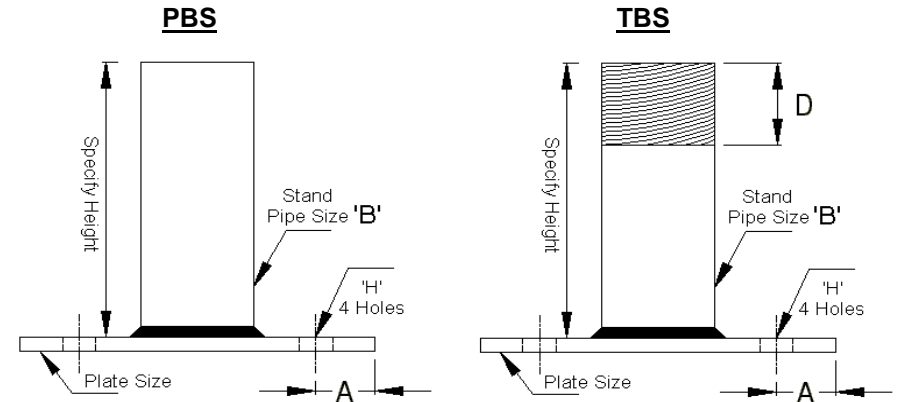
MODEL	B (inches)	PART DIMENSIONS			PLATE SIZE (inches)
		A (inches)	H (inches)	D (inches)	
PBS-07-P/G	3/4	1	9/16	n/a	1/4 x 6 x 6
PBS-15-P/G	1 1/2	1	9/16	n/a	1/4 x 6 x 6
PBS-20-P/G	2	1 1/4	11/16	n/a	3/8 x 6 x 6
PBS-25-P/G	2 1/2	1 1/2	13/16	n/a	3/8 x 12 x 12
PBS-30-P/G	3	1 1/2	15/16	n/a	1/2 x 12 x 12
PBS-40-P/G	4	1 1/2	1 1/8	n/a	1/2 x 14 x 14
PBS-60-P/G	6	1 1/2	1 1/8	n/a	1/2 x 18 x 18
TBS-10-P/G	1	1	9/16	1 1/2	1/4 x 6 x 6
TBS-12-P/G	1 1/4	1	9/16	1 1/2	1/4 x 6 x 6
TBS-15-P/G	1 1/2	1	9/16	1 1/2	1/4 x 6 x 6
TBS-20-P/G	2	1	9/16	1 1/2	1/4 x 6 x 6
TBS-25-P/G	2 1/2	1 1/4	9/16	1 1/2	3/8 x 6 x 6
TBS-30-P/G	3	1 1/2	13/16	1 1/2	3/8 x 12 x 12
TBS-40-P/G	4	1 1/2	15/16	2	1/2 x 12 x 12
TBS-60-P/G	6	1 1/2	1 1/8	2	1/2 x 18 x 18

NOTES

- Choose appropriate model for required finish:
P - Plain , G - Electroplated
- To select match dimension 'B' above with dimension 'F' on model PSS(U) support.
(see drawing no. S-2733.31)

APPLICATION

- * Support of insulated / non-insulated, horizontal pipes running close to floor.
Used in conjunction with pipe saddle supports.



MATERIALS

Item	Description
Pipe + Plate	Low carbon steel

FEATURES

- * Customer specified stand heights allow for straight pipe runs over uneven floor grades.

Notes / Remarks :

Project :
Client :
Consultant :
Representative :

Title :

PBS / TBS
Plain / Threaded
Base Stand

Drawing no.
S-2733.36

Rev. 0